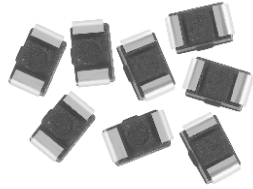


High Frequency, Surface Mount, Molded Inductor



FEATURES

- High self-resonant frequency values
- High Q values at higher frequencies
- Molded construction provides superior strength and moisture resistance
- Wirewound construction
- Tape and reel packaging for automatic handling, 3000/reel, EIA481
- Compatible with vapor phase and infrared reflow soldering
- 100 % lead (Pb)-free and RoHS compliant


RoHS
COMPLIANT

STANDARD ELECTRICAL SPECIFICATIONS

IND (nH)	TOL	TEST FREQ L & Q (MHz)	Q MIN	Q TYPICAL			SELF RESONANT FREQ. MIN	DCR ± 30% (Ω)	RATED DC CURRENT (mA)
				100 MHz	800 MHz	1.8 GHz			
10	± 10%	100	10	22	65	110	3300	0.14	540
12	± 10%	100	10	22	65	105	3300	0.18	535
15	± 10%	100	12	23	70	100	3000	0.18	520
18	± 10%	100	12	25	75	95	3000	0.22	480
22	± 10%	100	15	25	75	80	2600	0.22	465
27	± 10%	100	15	25	75	-	2500	0.26	455
33	± 5%, ± 10%	100	15	28	80	-	2050	0.30	395
39	± 5%, ± 10%	100	15	28	70	-	2000	0.31	390
47	± 5%, ± 10%	100	15	28	70	-	1650	0.35	385
56	± 5%, ± 10%	100	15	28	60	-	1550	0.39	360
68	± 5%, ± 10%	100	15	28	-	-	1450	0.44	340
82	± 5%, ± 10%	100	15	28	-	-	1100	0.48	330
100	± 5%, ± 10%	25.2	8	25	-	-	800	0.66	285
120	± 5%, ± 10%	25.2	8	24	-	-	600	0.76	275
150	± 5%, ± 10%	25.2	10	25	-	-	600	1.13	230
180	± 5%, ± 10%	25.2	10	25	-	-	600	1.24	195
220	± 5%, ± 10%	25.2	10	25	-	-	500	1.41	170
270	± 5%, ± 10%	25.2	10	25	-	-	300	1.50	165
330	± 5%, ± 10%	25.2	10	20	-	-	200	1.66	160
390	± 5%, ± 10%	25.2	10	20	-	-	150	1.82	150
470	± 5%, ± 10%	25.2	10	18	-	-	150	1.97	145
560	± 5%, ± 10%	25.2	10	15	-	-	100	2.07	140
680	± 5%, ± 10%	25.2	10	-	-	-	100	2.32	130
820	± 5%, ± 10%	25.2	10	-	-	-	80	2.60	125
1000	± 5%, ± 10%	7.96	8	-	-	-	80	2.98	120

Note

Tighter tolerance product may be substituted based on availability.

ELECTRICAL SPECIFICATIONS

Inductance Range: 10 nH to 1000 nH

Inductance Tolerance: ± 10 % for 10 nH to 1000 nH
± 5 % for 33 nH to 1000 nH

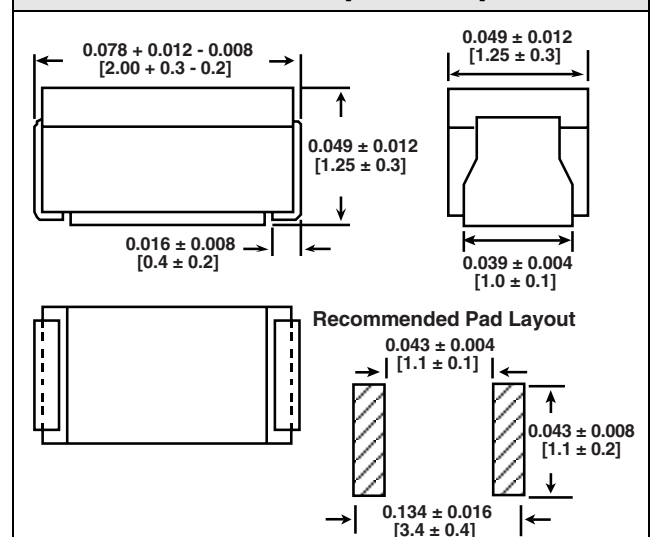
Temperature Range: - 40 °C to + 105 °C (no load), - 40 °C to + 85 °C (at full rated current)

Core Material: Non-magnetic

TEST EQUIPMENT

- Inductance and Q measured on HP4191A
- SRF measured on HP8753B

DIMENSIONS in inches [millimeters]



DESCRIPTION

IMC-0805	ER	10 nH	± 5 %	e3	WEB CODE
MODEL	PACKAGE CODE	INDUCTANCE VALUE	INDUCTANCE TOLERANCE	JEDEC LEAD (Pb)-FREE STANDARD	sm, wi, ce, cn, te

GLOBAL PART NUMBER

I	M	C	0	8	0	5	E	R	1	0	N	J
PRODUCT FAMILY			SIZE			PACKAGE CODE		INDUCTANCE VALUE			TOL	



Disclaimer

All product specifications and data are subject to change without notice.

Vishay Intertechnology, Inc., its affiliates, agents, and employees, and all persons acting on its or their behalf (collectively, "Vishay"), disclaim any and all liability for any errors, inaccuracies or incompleteness contained herein or in any other disclosure relating to any product.

Vishay disclaims any and all liability arising out of the use or application of any product described herein or of any information provided herein to the maximum extent permitted by law. The product specifications do not expand or otherwise modify Vishay's terms and conditions of purchase, including but not limited to the warranty expressed therein, which apply to these products.

No license, express or implied, by estoppel or otherwise, to any intellectual property rights is granted by this document or by any conduct of Vishay.

The products shown herein are not designed for use in medical, life-saving, or life-sustaining applications unless otherwise expressly indicated. Customers using or selling Vishay products not expressly indicated for use in such applications do so entirely at their own risk and agree to fully indemnify Vishay for any damages arising or resulting from such use or sale. Please contact authorized Vishay personnel to obtain written terms and conditions regarding products designed for such applications.

Product names and markings noted herein may be trademarks of their respective owners.