

TAPE AND REEL SPECIFICATIONS FOR CX CRYSTALS

Telephone: +44(0)1460 230000
 Fax: +44(0)1460 230001
 Email: sales@euroquartz.co.uk
 Web: www.euroquartz.co.uk

Reel Selection

Package Style	Reel Size and Quantities	
	180mm	330mm
CX-1	1000	4000
CX-2	2000	8000
CX-3	2000	8000
CX-4	3000	12,000
CX-5	1000	4000
CX-6	2000	8000

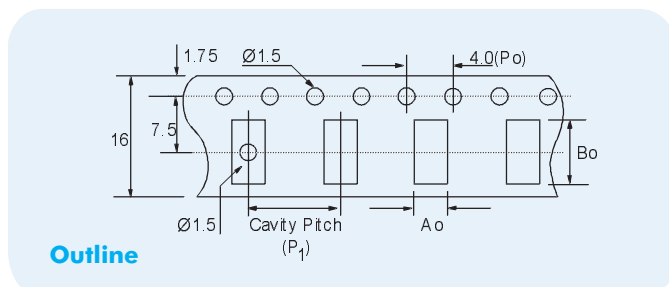
Package Style	Orientation
CX-1	Random*
CX-2	Single pad towards holes
CX-3	Random*
CX-4	Random*
CX-5	Random*
CX-6	Random*

* T-pads towards holes if specified

Part to Part Indexing

P₁, A₀ and B₀ Dimensions

Package Style	P ₁	A ₀	B ₀
CX-1	8.0	4.0	8.4
CX-2	4.0	2.8	7.1
CX-3	4.0	2.8	7.1
CX-4	4.0	2.1	5.5
CX-5	8.0	5.6	8.2
CX-6	4.0	2.8	7.1



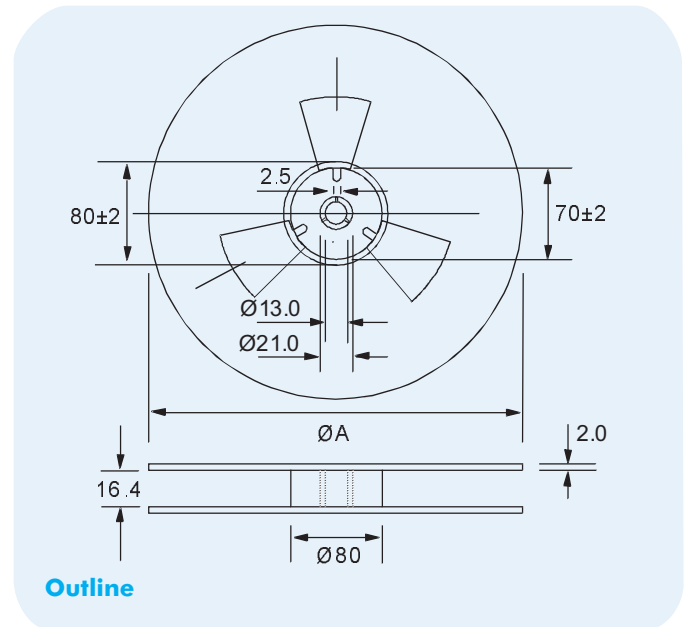
Pitch: The indexing holes are at a standard 4mm pitch (P₀)

Material:

Standard Tape Carrier: 2701 Non-conductive (Polyester)

Also Available: 3000 Black conductive (Polycarbonate)

Thermoplastic Reel



Notes:

1. Reel sketch and dimensions are in mm and for reference only
2. Dimension 'A' is the reel size diameter
3. The centre hole (hub hole) diameter is EIA-481 standard 13mm

Package Orientation

Orientation of crystal package in carrier tape cavity (Bottom view)



Example: CX-1-T pads toward holes when specified

Example: CX-2 - standard orientation