



# Frontier Electronics Corp.

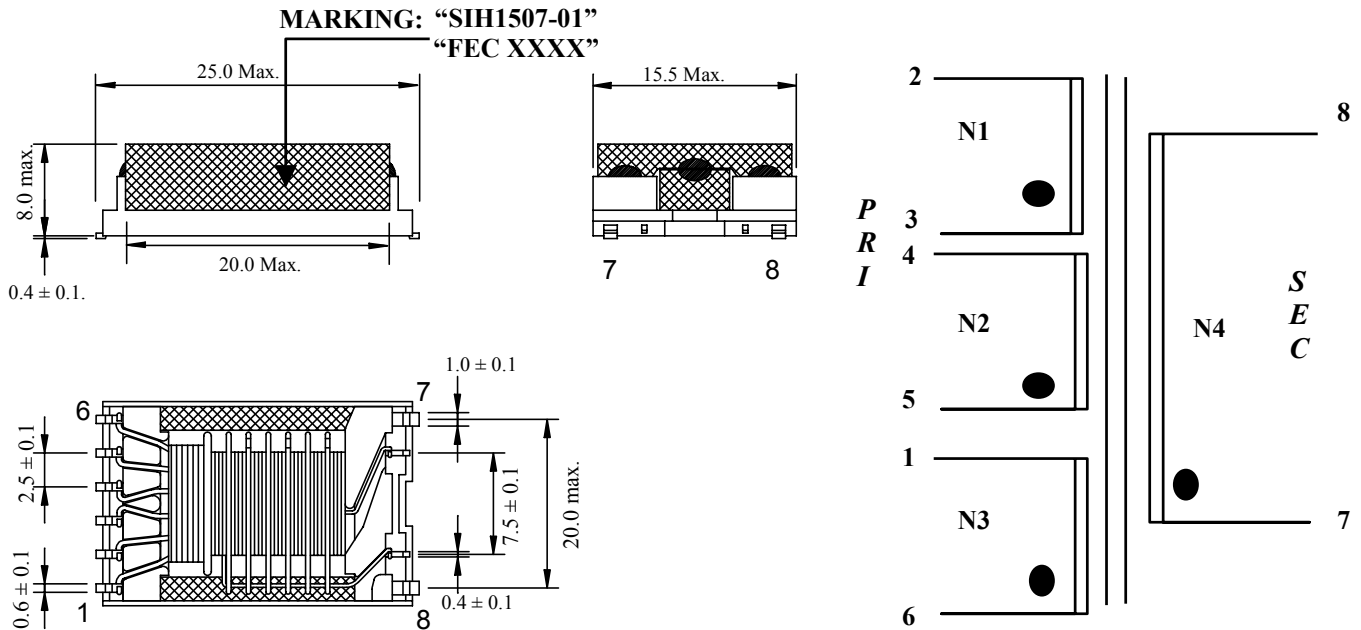
667 E. COCHRAN STREET, SIMI VALLEY, CA 93065  
 TEL: (805) 522-9998 FAX: (805) 522-9989  
 E-mail: frontiersales@frontierusa.com  
 Web: frontierusa.com

## CCFL Inverter Transformer—SIH1507-01

### A. Electrical specification:

Part No.	Mark	Suitable Frequency	Max. Open Voltage	Max. Lamp Watt.	Efficiency
SIH1507-01	SIH1507-01	40~150KHz	1300Vrms	2.5W	75%

### B. Schematics and Mechanical dimensions: (Unit: mm)



Turn Ratio: N1:N2:N3:N4=5.67:5.67:1:566.67  
 (N1 & N2 : Bifilar)

### C. Electrical Data:

Winding	Start	Finish	L (@ 1.0KHz,1.0V)	DCR Ω (@25°C)
N1	3	2	28.2 uH ± 5 %	0.222 Max.
N2	5	4	28.2 uH ± 5 %	0.222 Max.
N3	6	1	1.1 uH Ref.	0.103 Max.
N4	7	8	266.3 mH ± 10 %	735 Max.

### D. Insulation:

Term	Item	Spec.	Condition
Hi-Pot	Primary to Secondary	2500 VAC / 1 Minute	@Cut off current=3mA
	Pri. To Core / Sec. to Core	1500 VAC / 1 Minute	
Isolation	Pri. to Sec. / Pri. To Core / Sec. to Core	100 MΩ Min.	@ 500 VDC

### E. Features:

- Low profile height: Maximum 5.0mm.
- High efficiency.
- Surface mount.
- Suitable for standard IR re-flows soldering.

### F. Uses:

- Black Light power supplies transformer available.
- Personal Computer.
- LCD Panel.

Note: **RoHS** compliant; for the **ROHS** parts, we add "**-LFR**" at the end of the P/N.