



# Frontier Electronics Corp.

667 E. COCHRAN STREET, SIMI VALLEY, CA 93065

TEL: (805) 522-9998 FAX: (805) 522-9989

E-mail: frontiersales@frontierusa.com

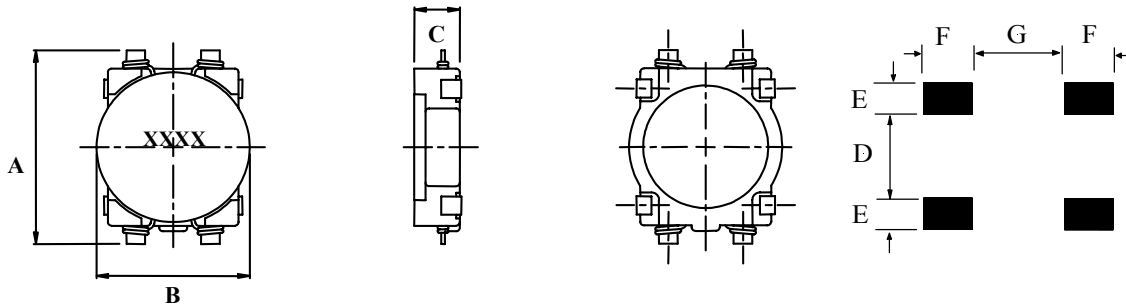
Web: frontierusa.com

## SMD Power Choke (Shielded)—CSN0410H series

### A. Electrical specifications:

Part No.	Mark	L (uH)	Test Freq.	DCR (max) $\Omega$	I rms. (mA)
CSN0410H-2R2M	2R2	2.2	100 KHz	0.12	950
CSN0410H-3R3M	3R3	3.3	100 KHz	0.17	770
CSN0410H-4R7M	4R7	4.7	100 KHz	0.22	750
CSN0410H-6R8M	6R8	6.8	100 KHz	0.30	620
CSN0410H-100M	100	10	100 KHz	0.46	500
CSN0410H-150M	150	15	100 KHz	0.68	400
CSN0410H-220M	220	22	100 KHz	1.07	300
CSN0410H-330M	330	33	100 KHz	1.65	240
CSN0410H-470M	470	47	100 KHz	2.84	180
CSN0410H-560M	560	56	100 KHz	3.20	150
CSN0410H-680M	680	68	100 KHz	3.70	130
CSN0410H-820M	820	82	100 KHz	4.69	110
CSN0410H-101M	101	100	100 KHz	5.21	100

### B. Mechanical dimensions: (Unit: mm)



SERIES #	A	B	C	D	E	F	G
CSN0410H	5.8 Max.	4.1 $\pm$ 0.30	1.20 Max.	2.40	0.80	1.40	2.5

### C. Features:

- Tolerance: M:  $\pm$  20%.
- Operating temperature: -25°C TO +85°C.
- Inductance measured on the HP4284A or HP4285A LCR meter.
- DCR measured on the 502BC milli-ohm meter.
- Inductance drops no more than 10% at rated current applied or temperature rises  $\Delta t < 40^\circ\text{C}$ .
- Very low profile used for DC-DC converter, LCD driver power supply, Notebook PC, and Electro-Luminescent backlight for Digital Video Camera, Digital Still Camera, GPS, PDC etc. Portable equipment.
- Inductance range: CSN0410H-series From 2.2uH(0.950A) to 100uH(0.100A).

**D. Note:** **RoHS** compliant; for the **ROHS** parts, we add "**-LFR**" at the end of the P/N.



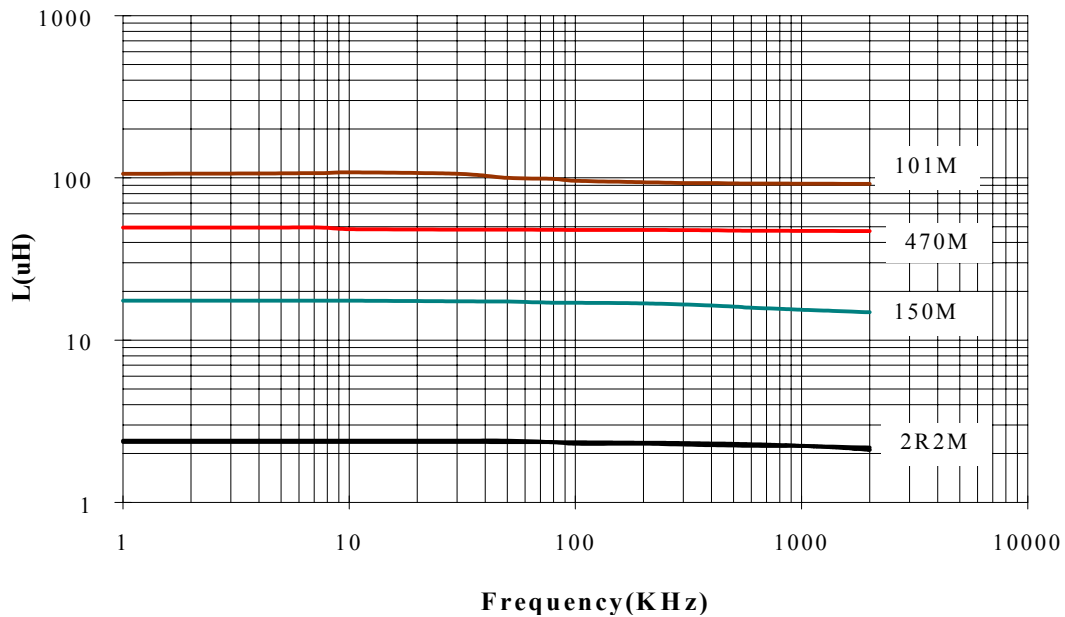
# Frontier Electronics Corp.

667 E. COCHRAN STREET, SIMI VALLEY, CA 93065  
TEL: (805) 522-9998 FAX: (805) 522-9989  
E-mail: frontiersales@frontierusa.com  
Web: frontierusa.com

## SMD Power Choke—CSN0410H series

### D. Characteristic curve:

#### 1. L vs. Frequency:



#### 2. Typical L vs. DC Current:

