

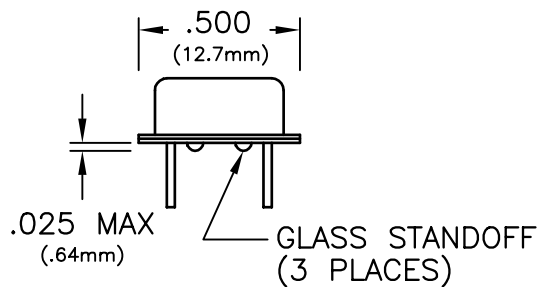
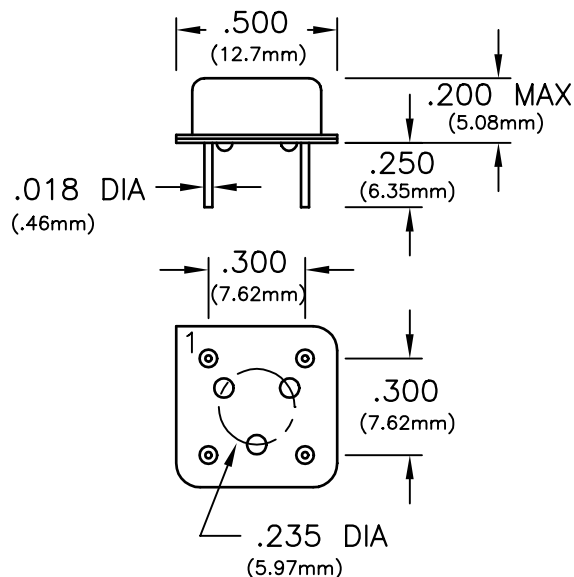


CONNOR-WINFIELD CORPORATION

AURORA, IL. 60505
 PHONE (630) 851-4722
 FAX (630) 851-5040

8 PIN DIP PECL

SPECIFICATIONS	EH83-51*	EH83-52*	EH83-53*	EH83-54*
Frequency Range	13MHz to 130MHz			
Frequency Stability	±25ppm	±50ppm	±100ppm	±20ppm
	(Inclusive of calibration tolerance at 25°C, operating temperature range, input voltage change, load change, aging, shock and vibration)			
Temperature Range	0°C to +70°C			
Output	Waveform	PECL Squarewave, 10K Compatible		
	Voltage Voh	3.98 Minimum , 4.26 Maximum		
	Vol	3.05 Minimum , 3.40 Maximum		
	Duty Cycle	45/55 Maximum at 3.67V		
	Rise/Fall Time	2.3nS Maximum		
Output must be terminated into 50 ohms to +3Vdc -OR- 270 ohms to Vee				
Supply Voltage	+5Vdc ±5%			
Supply Current	85mA Maximum			
Package	All metal, hermetically sealed, welded package			
Options * (add letter to end of model number)	0	Pin 1: No Connection		
	1	Pin 1: Complementary Output		
	2	Pin 1: Enable/Disable Enable; Low Level, Vil (3.40V Max) , Disable; High Level, Vih (3.87V Min) NOTE: When oscillator is disabled the output is in a low state (vol)		



PIN	CONNECTION
1	OPTION
4	Vee (CASE GROUND)
5	OUTPUT
8	Vcc

Dimensional Tolerance ±.005

Specifications subject to change without notice

BULLETIN #: EC056
 PAGE 1 OF 2

REV: 02
 DATE: 4/10/96

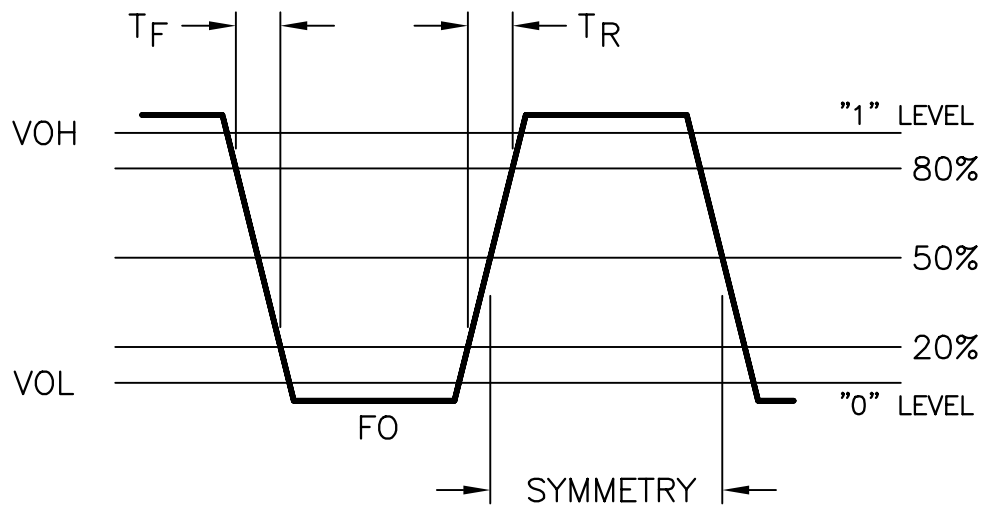
ISSUED BY: _____



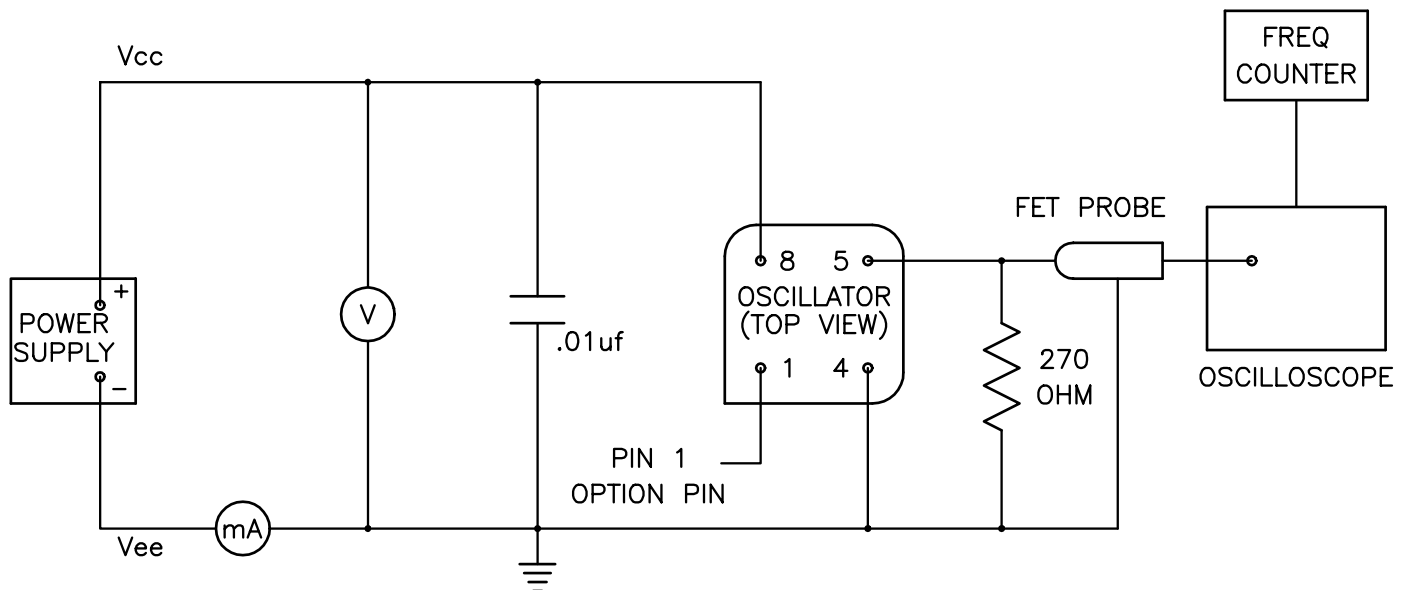
CONNOR-WINFIELD CORPORATION

AURORA, IL. 60505
PHONE (630) 851-4722
FAX (630) 851-5040

OUTPUT WAVEFORM



TEST CIRCUIT



Specifications subject to change without notice

BULLETIN #: EC056
PAGE 2 OF 2

REV: 02
DATE: 4/10/96

ISSUED BY: _____