

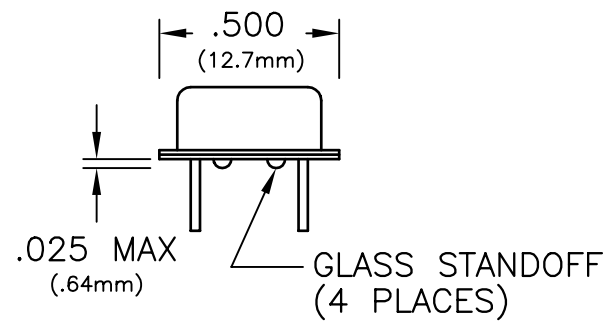
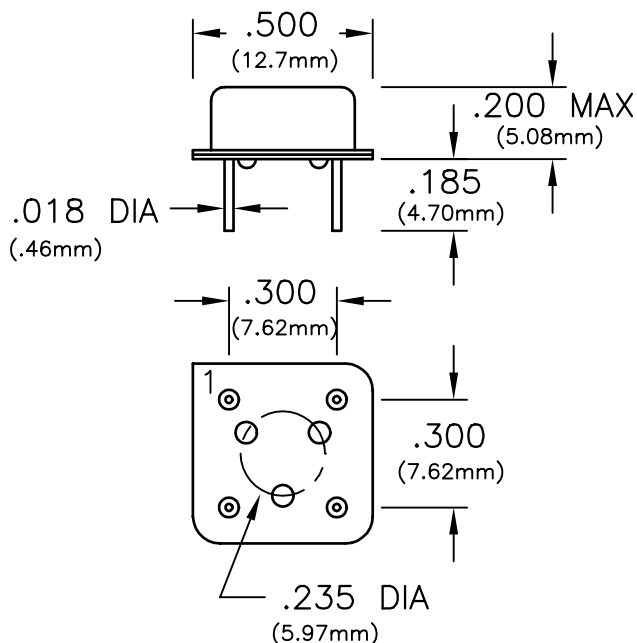


# CONNOR-WINFIELD CORPORATION

AURORA, IL. 60505  
 PHONE (630) 851-4722  
 FAX (630) 851-5040

## TIGHT TOLERANCE CLOCKS

SPECIFICATIONS	H55	
Frequency Range	1MHz to 70MHz	
Frequency Calibration	±4ppm at 25°C	
Frequency Stability	±10ppm	
Temperature Range	0°C to 70°C	
Frequency vs Supply Voltage	±1ppm	
Aging	±5ppm	
Overall Frequency Stability	±20ppm (Sum of all frequency stabilities and aging tolerances for the life of the oscillator)	
Waveform	HCMOS / TTL Compatible Squarewave	
Load	50pF / 10 TTL	
Voltage	Voh	4.5V Minimum
	Vol	0.5V Maximum
Current	Ioh	-16mA
	Iol	16mA
Duty Cycle	45/55 Maximum Measured at 50% level	
Rise/Fall Time	5nS Maximum	
Start Up Time	10mS Maximum , 3mS Typical	
Supply Voltage	+5Vdc ±5%	
Supply Current	15mA Typical , 25mA Maximum	
Package	All metal, hermetically sealed, welded package	



PIN	CONNECTION
1	N/C
4	GROUND (CASE)
5	OUTPUT
8	(+) SUPPLY

Dimensional Tolerance ±.005

Specifications subject to change without notice

BULLETIN #: HC095  
 PAGE 1 OF 1

REV: 00  
 DATE: 5/5/95

ISSUED BY: \_\_\_\_\_