

- NOTES:
1. MATERIAL - PP1.
 2. ALL DIMENSIONS ARE IN MILLIMETERS.
 3. TOLERANCES - X.X=±0.25
- X.XX=±0.13
UNLESS OTHERWISE SPECIFIED.
 4. ESD - SURFACE RESISTIVITY
- 10⁵ TO 10¹¹ OHMS/SQ.
 5. FOR PACKAGE - CQFP 75X75 4.0 MM.
 6. PART NO. : KX TCQ75 4.0 0103 1
(PLEASE INDICATE ON PURCHASE ORDER).

PEAK PEAK PLASTIC & METAL PRODUCTS INT'L LTD.

CUSTOMER : **PEAK**

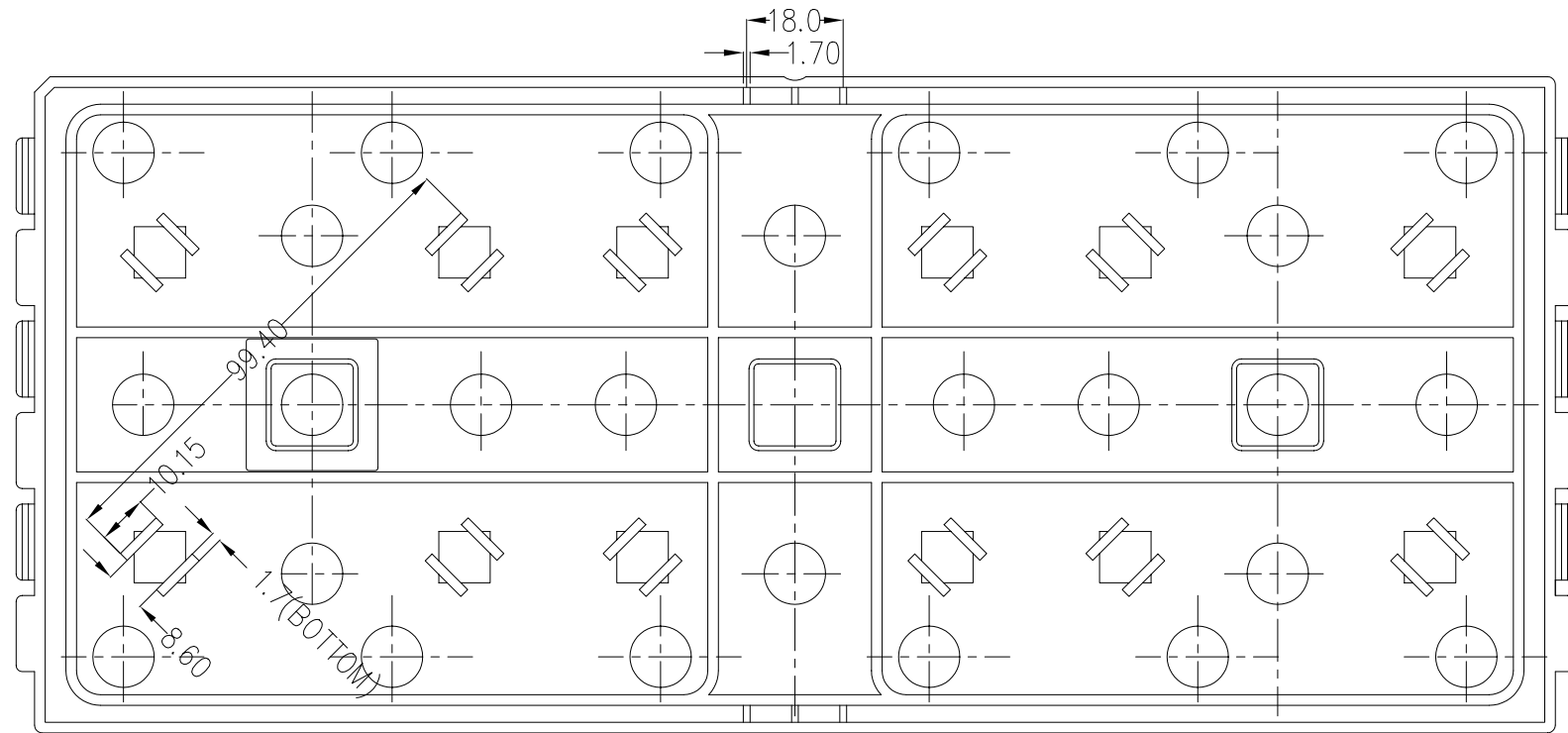
TITLE : KX TCQ75 4.0 0103 1

DWG NO.: KX TCQ75 4.0 0103 1 REV. 12

REV.NO.	ECN #	DESCRIPTION	DATE
12	P-00937	ADD POSTS ON BOTTOM OF TRAY	9 APR 99
11	P-00838	CHANGE SURFACE RESISTIVITY	1 FEB 99
10	P-00716	ADD POSITION TOL	20 OCT 97
9	P-00584	CHANGE LOGO STYLE	29 NOV 96
8	P-00425	CHANGE "LOW TEMP." TO "75°C MAX."	16 JAN 95
7	P-00409	CHANGE DIM 0.1 TO 0.4	9 DEC 94

THIS DOCUMENT CONTAINS INFORMATION PROPRIETARY TO PEAK PLASTIC & METAL PRODUCTS INTERNATIONAL LIMITED. REPRODUCTION DISCLOSURE OR USE OF THIS DOCUMENT IS EXPRESSLY PROHIBITED EXCEPT OTHERWISE AGREED UPON IN WRITING.

DRAWN BY : Wang	PAGE 1 OF 3
CHECKED BY :	DATE : 9 APR 99
APPROVED BY :	DATE : 9 APR 99
APPROVED BY :	DATE : 9 APR 99
DO NOT SCALE DRAWING	CODE : CSA00706




BOTTOM VIEW

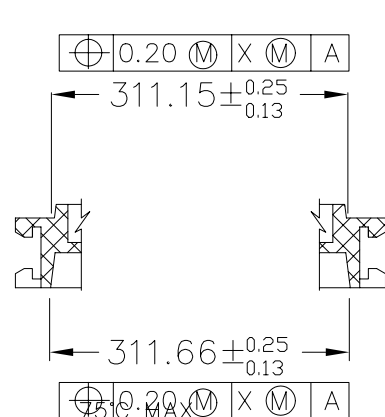
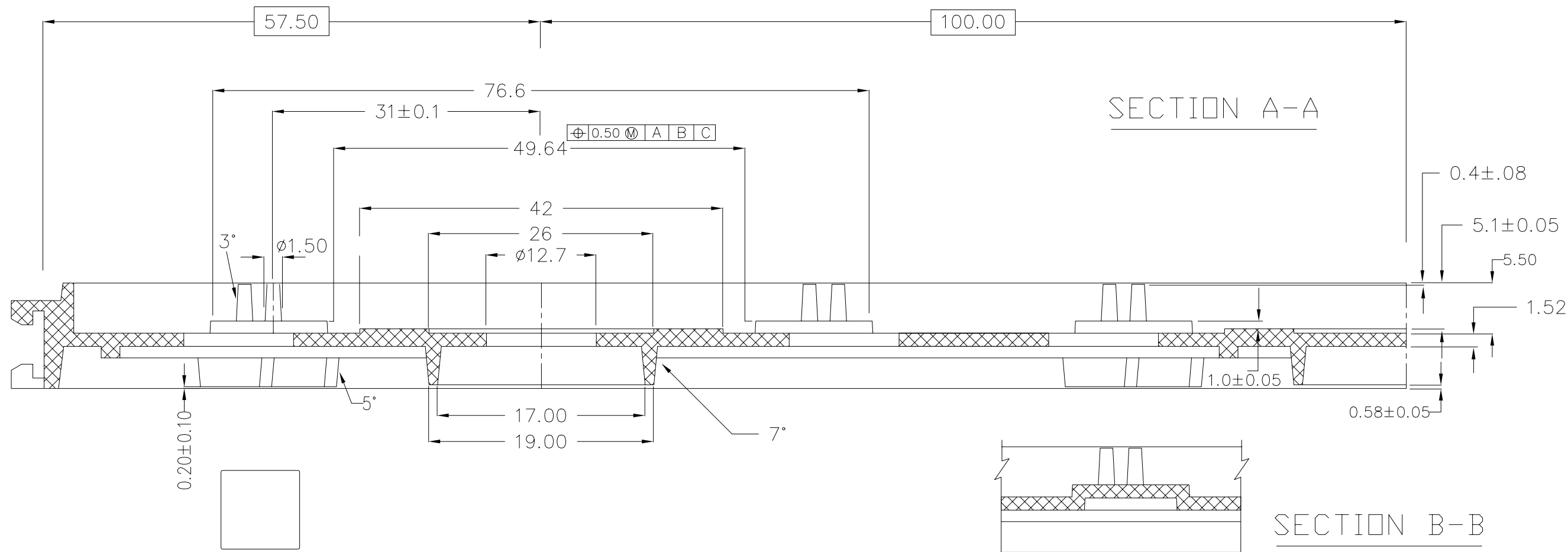
12	P-00937	ADD POSTS ON BOTTOM OF TRAY	9 APR 99
11	P-00838	CHANGE SURFACE RESISTIVITY	1 FEB 99
10	P-00716	ADD POSITION TOL	20 OCT 97
9	P-00584	CHANGE LOGO STYLE	29 NOV 96
8	P-00425	CHANGE "LOW TEMP." TO "75°C MAX."	16 JAN 95
7	P-00409	CHANGE DIM 0.1 TO 0.4	9 DEC 94
REV.NO.	ECN #	DESCRIPTION	DATE

THIS DOCUMENT CONTAINS INFORMATION PROPRIETARY TO PEAK PLASTIC & METAL PRODUCTS INTERNATIONAL LIMITED. REPRODUCTION, DISCLOSURE OR USE OF THIS DOCUMENT IS EXPRESSLY PROHIBITED EXCEPT OTHERWISE AGREED UPON IN WRITING.

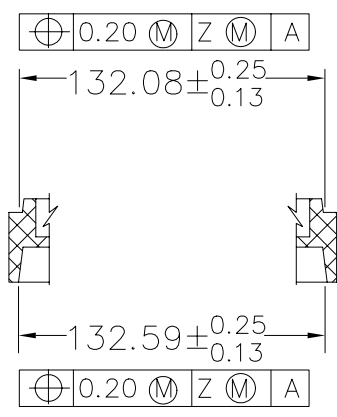
DRAWN BY : Wang	PAGE 2 OF 3
CHECKED BY :	DATE : 9 APR 99
APPROVED BY :	DATE : 9 APR 99
APPROVED BY :	DATE : 9 APR 99
DO NOT SCALE DRAWING	CODE : CSA00706

 PEAK [®] PEAK PLASTIC & METAL PRODUCTS INT'L LTD.	CUSTOMER :	<i>PEAK</i>
	TITLE :	KX TCQ75 4.0 0103 1
DWG NO.:	KX TCQ75 4.0 0103 1	REV. 12

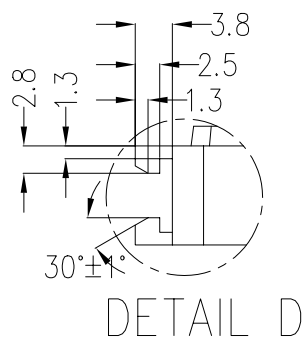
PEAK



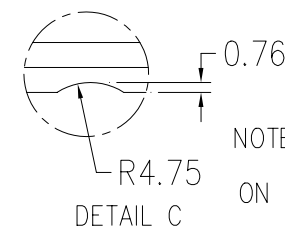
SECTION H-H



SECTION J-J



DETAIL D



DETAIL C

1. MATERIAL - PP1.


NOTE: SCALLOP IS CENTERED ON SIDE OF TRAY

6. PART NO. : KX TCQ75 4.0 0103 1

12	P-00937	ADD POSTS ON BOTTOM OF TRAY	9 APR 99
11	P-00838	CHANGE SURFACE RESISTIVITY	1 FEB 99
10	P-00716	ADD POSITION TOL	20 OCT 97
9	P-00584	CHANGE LOGO STYLE	29 NOV 96
8	P-00425	CHANGE "LOW TEMP." TO "75°C MAX."	16 JAN 95
7	P-00409	CHANGE DIM 0.1 TO 0.4	9 DEC 94
REV.NO.	ECN #	DESCRIPTION	DATE

THIS DOCUMENT CONTAINS INFORMATION PROPRIETARY TO PEAK PLASTIC & METAL PRODUCTS INTERNATIONAL LIMITED. REPRODUCTION DISCLOSURE OR USE OF THIS DOCUMENT IS EXPRESSLY PROHIBITED EXCEPT OTHERWISE AGREED UPON IN WRITING.

DRAWN BY : Wang	PAGE 3 OF 3
CHECKED BY :	DATE : 9 APR 99
APPROVED BY :	DATE : 9 APR 99
APPROVED BY :	DATE : 9 APR 99
DO NOT SCALE DRAWING	CODE : CSA00706


PEAK PLASTIC & METAL PRODUCTS INT'L LTD.

CUSTOMER : **PEAK**

TITLE : KX TCQ75 4.0 0103 1

DWG NO.: KX TCQ75 4.0 0103 1 | REV. 12