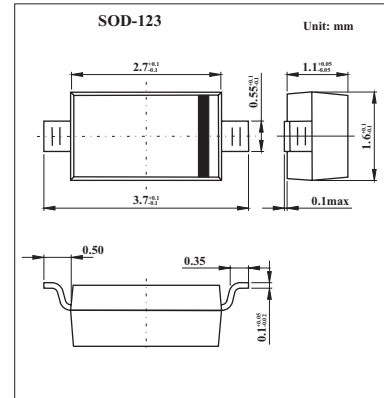


## Variable Capacitance Diode for VCO

## HVD372B

## ■ Features

- High capacitance ratio. ( $n = 2.00$  min).
- Good linearity of C-V curve.
- Super small Flat Lead Package (SFP) is suitable for surface mount design.

■ Absolute Maximum Ratings  $T_a = 25^\circ\text{C}$ 

Parameter	Symbol	Value	Unit
Reverse Voltage	$V_R$	15	V
Junction temperature	$T_j$	125	$^\circ\text{C}$
Storage temperature	$T_{stg}$	-55 to +125	$^\circ\text{C}$

■ Electrical Characteristics  $T_a = 25^\circ\text{C}$ 

Parameter	Symbol	Conditions	Min	Typ	Max	Unit
Reverse current	$I_{R1}$	$V_R = 15\text{ V}$			10	nA
	$I_{R2}$	$V_R = 15\text{ V}, T_a = 60^\circ\text{C}$			100	
Capacitance	$C_1$	$V_R = 1\text{ V}, f = 1\text{ MHz}$	15		17	pF
	$C_4$	$V_R = 4\text{ V}, f = 1\text{ MHz}$	7		8.5	
Capacitance ratio	$n$	$C_1 / C_4$	2			
Series resistance	$r_s$	$V_R = 4\text{ V}, f = 470\text{ MHz}$			0.4	$\Omega$

## ■ Marking

Marking	F
---------	---