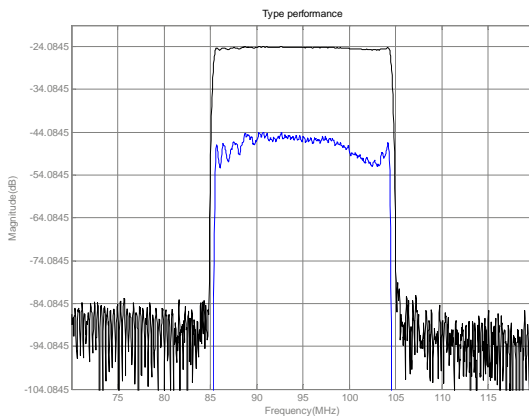




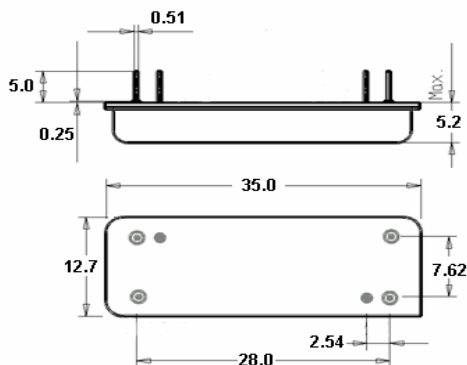
LBN09503 SAW Filter Electrical Characteristic

<i>Specifications</i>				
Parameter	Unit	Minimum	Typical	Maximum
Center Frequency	MHz	94.89	94.99	95.09
Insertion Loss	dB	-	23.4	27
1 dB Bandwidth	MHz	18.5	18.88	-
3 dB Bandwidth	MHz	19	19.09	-
40 dB Bandwidth	MHz	-	20.04	21
Amplitude Ripple ($f_0 \pm 9.22\text{MHz}$)	dB		1	1.2
Group Delay Variation ($f_0 \pm 9.22\text{MHz}$)	nsec		45	90
Absolute Delay	usec			
Ultimate Rejection	dB	45	56	-
Substrate Material		128 LiNbO3		
Ambient Temperature	°C	25		
Operation Temperature	°C	-40~85		
Package Size		DIP3512 (35.2x12.7x5.2mm ³)		

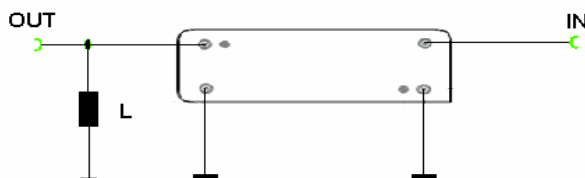
Typical Performance



Package Outline



Matching Configuration



$L = 180\text{nH}$

Source/Load Impedance=50 ohm

Notes - Component values may change depending