

# Filtrex™ Intelligent Photoelectric Smoke Detector



## Models

---

FTX-P1  
FTX-P1A

## Base

---

B501B-FTX  
B501B-FTXA

## Accessories

---

RF-FTX  
RA400Z  
M02-04-01  
M02-09-00



## Product Overview

---

### Intelligent communications

High density filter removes particulate down to 32 microns

Air delivery system is separately powered and fully supervised

Filter is easily field replaceable

Resistant to water spray in applications where occasional hose-down cleaning is performed

Optional remote LED accessory

Rotary decade address switches

Compatible with 200 and 500 Series products' protocol

No modification required to panels compatible with System Sensor intelligent photoelectric smoke detectors

System Sensor Filtrex Smoke Detector provides early warning smoke detection in difficult environments where traditional smoke detectors are not practical. Filtrex provides protection in dirty, dusty environments that tend to cause false alarms with standard smoke detectors.

### Operation:

Using a small air intake fan and a high density replaceable filter, air and smoke are drawn into a photoelectric sensing chamber while airborne particulate and water spray are removed. When the filter becomes too clogged to draw adequate air into the sensing chamber, power is cut from the detector, causing a trouble signal at the fire alarm control panel. When the filter is replaced, power-up is automatic.

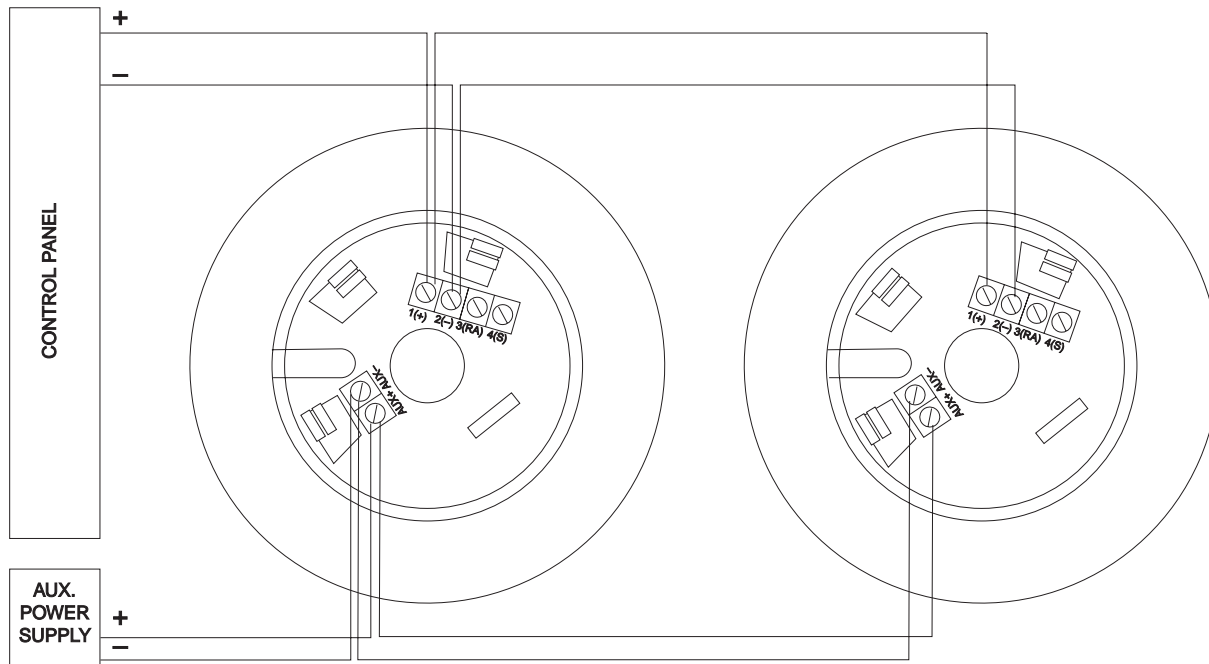
### Applications:

Animal research facilities  
Institutional laundry facilities  
Amusement parks  
Zoos  
Performance theatres  
Loading docks  
Paper mills  
Textile mills

## Specifications

<b>Size</b> 3.5" (8.9 cm) H x 6.1" (15.5 cm) diam, in B501B-FTX base	<b>External/Auxiliary Power Supply Voltage Range</b> 15–30 VDC (filtered)	<b>Air Intake Fan</b> On 5 seconds every 30 seconds
<b>Weight</b> 7.3 oz. (207 grams)	<b>External/Auxiliary Power Supply Maximum Current</b> 123 mA	<b>Filter</b> Airflow checked every 4 hours
<b>Signaling Line Circuit Supply Range</b> 15–32 VDC	<b>External/Auxiliary Power Supply Avg. Current</b> 27 mA	
<b>Detector Current (max. avg.)</b> 250 $\mu$ A @ 24 VDC (without communication) 360 $\mu$ A @ 24 VDC (one communication every 5 seconds with LED enabled)	<b>Temperature Range</b> 32° to 122°F (0° to 50° C)	
	<b>Relative Humidity</b> 10% to 93% noncondensing	

## Filtrex Wiring Diagram



## Ordering Information

Model	Description
FTX-P1	Photoelectric smoke detector
FTX-P1A	Photoelectric smoke detector, (Canadian)
B501B-FTX	Flanged adapter base, 6.1" (15.5 cm)
B501B-FTXA	Flanged adapter base, 6.1" (15.5 cm), (Canadian)
RF-FTX	Replacement filter cover assembly (6 pack)
RA400Z	Remote LED annunciator, fits U.S. single gang electrical box
M02-04-01	Test magnet
M02-09-00	Test magnet with telescoping handle

## System Sensor Sales and Service

<b>System Sensor Headquarters</b> 3825 Ohio Avenue St. Charles, IL 60174 Ph: 800/SENSOR2 Fx: 630/377-6495 Documents-on-Demand 800/736-7672 x3 www.systemsensor.com	<b>System Sensor Canada</b> Ph: 905.812.0767 Fx: 905.812.0771  <b>System Sensor Europe</b> Ph: 44.1403.276500 Fx: 44.1403.276501	<b>System Sensor in China</b> Ph: 86.29.524.6253 Fx: 86.29.524.6259  <b>System Sensor in Singapore</b> Ph: 65.273.2230 Fx: 65.273.2610	<b>System Sensor – Far East</b> Ph: 85.22.191.9003 Fx: 85.22.736.6580  <b>System Sensor – Australia</b> Ph: 613.54.281.142 Fx: 613.54.281.172	<b>System Sensor – India</b> Ph: 91.124.637.1770 x.2700 Fx: 91.124.637.3118
---	--	--	---	---