

isc Silicon NPN Power Transistor

BU406

DESCRIPTION

- High Voltage: $V_{CEV} = 400V(\text{Min})$
- Fast Switching Speed-
: $t_f = 750ns(\text{Max})$
- Low Saturation Voltage-
: $V_{CE(\text{sat})} = 1.0V(\text{Max}) @ I_C = 5A$

APPLICATIONS

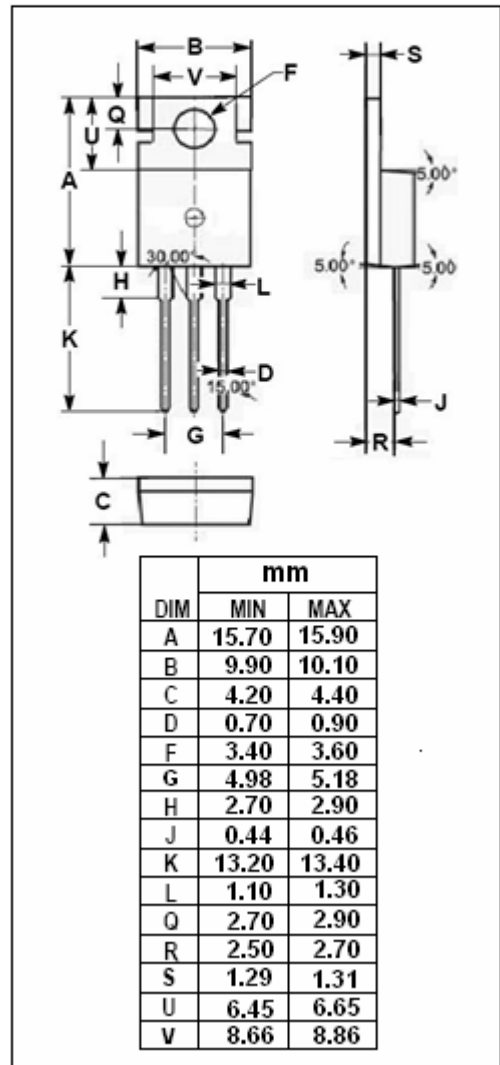
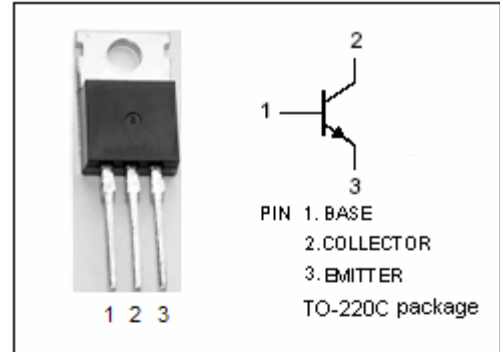
- Designed for use in horizontal deflection output stages of TV's and CRT's

ABSOLUTE MAXIMUM RATINGS($T_a = 25^\circ\text{C}$)

SYMBOL	PARAMETER	VALUE	UNIT
V_{CBO}	Collector-Base Voltage	400	V
V_{CEV}	Collector-Emitter Voltage	400	V
V_{CEO}	Collector-Emitter Voltage	200	V
V_{EBO}	Emitter-Base Voltage	6	V
I_C	Collector Current-Continuous	7	A
I_{CP}	Collector Current-Peak Repetitive	10	A
I_{CP}	Collector Current- Peak (10ms)	15	A
I_B	Base Current	4	A
P_C	Collector Power Dissipation @ $T_C = 25^\circ\text{C}$	60	W
T_J	Junction Temperature	150	$^\circ\text{C}$
T_{stg}	Storage Temperature Range	-65~150	$^\circ\text{C}$

THERMAL CHARACTERISTICS

SYMBOL	PARAMETER	MAX	UNIT
$R_{th\ j-c}$	Thermal Resistance, Junction to Case	2.08	$^\circ\text{C/W}$
$R_{th\ j-a}$	Thermal Resistance, Junction to Ambient	70	$^\circ\text{C/W}$



isc Silicon NPN Power Transistor**BU406****ELECTRICAL CHARACTERISTICS** $T_C=25^{\circ}\text{C}$ unless otherwise specified

SYMBOL	PARAMETER	CONDITIONS	MIN	TYP.	MAX	UNIT
$V_{CEO(SUS)}$	Collector-Emitter Sustaining Voltage	$I_C=100\text{mA}; I_B=0$	200			V
$V_{CE(sat)}$	Collector-Emitter Saturation Voltage	$I_C=5\text{A}; I_B=0.5\text{A}$			1.0	V
$V_{BE(sat)}$	Base-Emitter Saturation Voltage	$I_C=5\text{A}; I_B=0.5\text{A}$			1.2	V
I_{CES}	Collector Cutoff Current	$V_{CE}=400\text{V}; V_{BE}=0$ $V_{CE}=250\text{V}; V_{BE}=0$ $V_{CE}=250\text{V}; V_{BE}=0; T_C=150^{\circ}\text{C}$			5.0 0.1 1.0	mA
I_{EBO}	Emitter Cutoff Current	$V_{EB}=6\text{V}; I_C=0$			1.0	mA
f_T	Current-Gain—Bandwidth Product	$I_C=0.5\text{A}; V_{CE}=10\text{V}; f_{test}=20\text{MHz}$	10			MHz
C_{OB}	Output Capacitance	$I_E=0; V_{CB}=10\text{V}; f_{test}=1.0\text{MHz}$		80		pF
t_f	Fall Time	$I_C=5\text{A}; I_{B1}=-I_{B2}=0.5\text{A}, L=150\mu\text{H}$ $V_{CC}=40\text{V}$			0.75	μs

isc Silicon NPN Power Transistor

BU406

