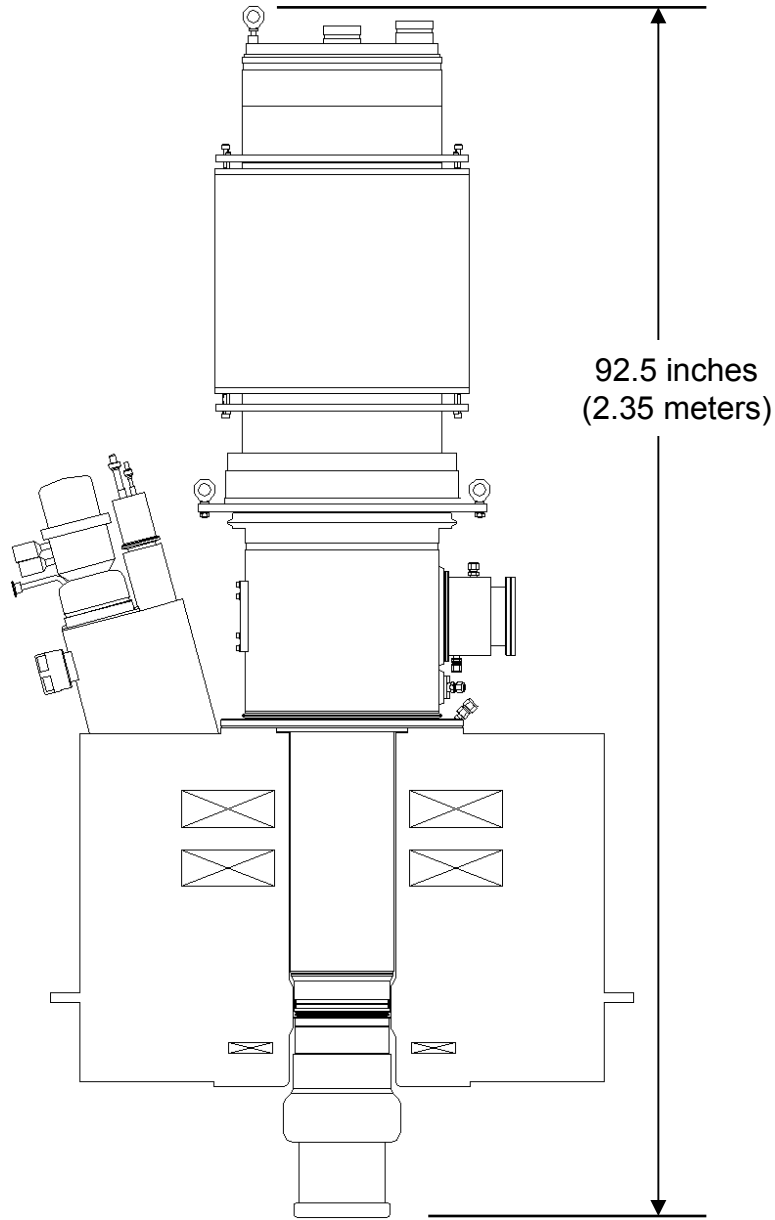


VGT-8115 Gyrotron Oscillator



CPI gyrotrons were the first commercially available high-power, long-pulse/CW, high-frequency devices for plasma fusion experiments and other scientific and industrial applications. CPI-MPP provides an extensive line of gyrotrons that cover frequencies from 28-140 GHz with power levels ranging from 10 kW to 1.3 MW.

The VGT-8115 gyrotron delivers up to 1.3 MW of output power at a frequency of 110 GHz for electron cyclotron heating and current drive in fusion plasmas.



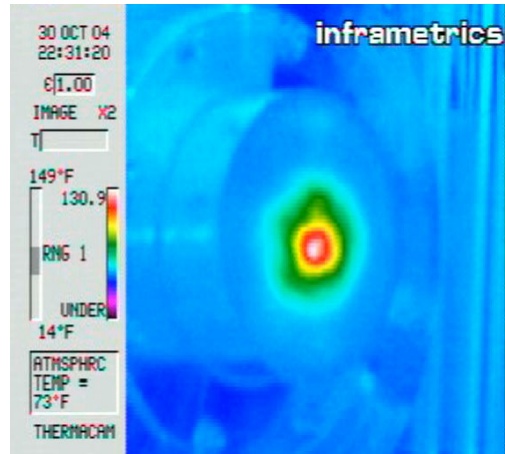
For additional information on gyrotrons, other CPI products, or a copy of our catalog-on-disk, please contact:
CPI Microwave Power Products, 811 Hansen Way, Palo Alto, CA 94303-0750
Telephone: 650-846-3172, Fax: 650-856-0705, Email: marketing@cpii.com

VGT-8115 Gyrotron Oscillator

Cathode Stem and Ceramic Assembly



Infrared Image of Beam at Gyrotron Output Window



CVD Diamond Window Disc



Features

- High Power, High Efficiency
- Long Pulse Operation
- Gaussian Output Beam
- CVD Diamond Output Window
- Diode Electron Gun
- Single-Stage Depressed Collector
- Cryogen-Free Superconducting Magnet

Typical Operating Parameters

Power Output	1300 kW
Pulse Length	10 sec
Cathode Voltage	-71 kV
Body Voltage	+25 kV
Beam Current	40 A
Frequency	110±0.2 GHz
Efficiency	45%
Output Mode	TEM ₀₀

For additional information on gyrotrons, other CPI products, or a copy of our catalog-on-disk, please contact:
CPI Microwave Power Products, 811 Hansen Way, Palo Alto, CA 94303-0750
Telephone: 650-846-3172, Fax: 650-856-0705, Email: marketing@cpii.com