



CHENMKO ENTERPRISE CO.,LTD

CHIMH60PT

SURFACE MOUNT

Dual Digital Silicon Transistor

VOLTAGE 30 Volts CURRENT 600 mAmpere

Lead free devices

APPLICATION

* Switching circuit, Inverter, Interface circuit, Driver circuit.

FEATURE

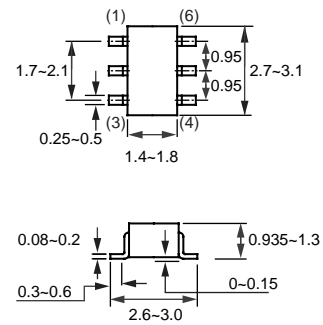
- * Small surface mounting type. (SC-74/SOT-457)
- * High current gain.
- * Suitable for high packing density.
- * Low collector-emitter saturation.
- * High saturation current capability.
- * Two CHDTC323T chips in one package.
- * Built in bias resistor(R1=2.2kΩ, Typ.)

MARKING

* I60



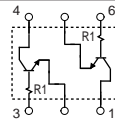
SC-74/SOT-457



Dimensions in millimeters

SC-74/SOT-457

CIRCUIT



LIMITING VALUES

In accordance with the Absolute Maximum Rating System (IEC 60134).

SYMBOL	PARAMETER	CONDITIONS	VALUE	UNIT
V _{CBO}	Collector-Base voltage		30	V
V _{CEO}	Collector-Emitter voltage		15	V
V _{EBO}	Emitter-Base voltage		5	V
I _{C(Max.)}	Collector current		600	mA
P _D	Power dissipation	T _{amb} ≤ 25 °C, Note 1	200	mW
T _{STG}	Storage temperature		-55 +150	°C
T _J	Junction temperature		-55 +150	°C
R _{θJ-S}	Thermal resistance , Note 1	junction - soldering point	140	°C/W

Note

1. Transistor mounted on an FR4 printed-circuit board.

RATING CHARACTERISTIC (CHIMH60PT)

CHARACTERISTICS

$T_{amb} = 25\text{ }^{\circ}\text{C}$ unless otherwise specified.

SYMBOL	PARAMETER	CONDITIONS	MIN.	TYP.	MAX.	UNIT
BVCBO	Collector-base breakdown voltage	$I_C=50\mu\text{A}$	30	–	–	V
BVCEO	Collector-emitter breakdown voltage	$I_C=1.0\text{mA}$	15	–	–	V
BVEBO	Emitter-base breakdown voltage	$I_E=50\mu\text{A}$	5.0	–	–	V
ICBO	Collector cutoff current	$V_{CB}=20\text{V}$	–	–	0.5	μA
IEBO	Emitter cutoff current	$V_{EB}=4\text{V}$	–	–	0.5	μA
$V_{CE(sat)}$	Collector-emitter saturation voltage	$I_C/I_B=50\text{mA}/2.5\text{mA}$	–	0.04	0.08	V
hFE	DC current gain	$I_C=50\text{mA}; V_{CE}=5.0\text{V}$	100	250	600	
R ₁	Input resistor		1.64	2.2	2.86	K Ω
f _T	Transition frequency	$I_E=-50\text{mA}, V_{CE}=10.0\text{V}$ $f=100\text{MHz}$	–	200	–	MHz

Note

1. Pulse test: $t_p \leq 300\mu\text{s}$; $\delta \leq 0.02$.

RATING CHARACTERISTIC CURVES (CHIMH60PT)

Typical Electrical Characteristics

Fig.1 DC current gain vs. collector current

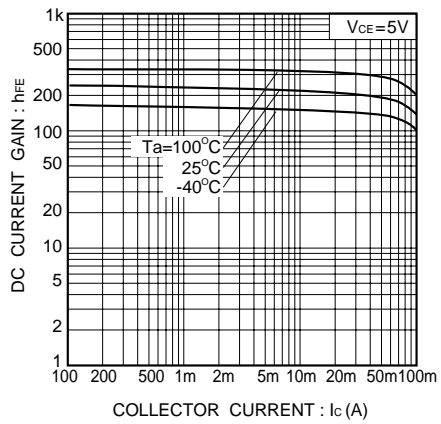


Fig.2 Collector-emitter voltage vs. collector current

