

Polarization-insensitive Circulator



Key Features

- Very low insertion loss
- Broadband
- Low wavelength dependent loss
- Low temperature dependent loss
- High-power handling capability and reliability
- High isolation
- Compact cylindrical package
- Excellent environment stability

Applications

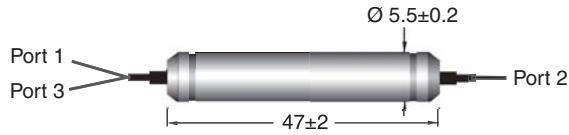
- Fiber amplifier systems
- Wavelength division multiplexing (WDM) add/drop
- WDM networks
- Bidirectional transmission systems
- Optical time domain reflectometer (OTDR) and sensing systems

The JDSU polarization-insensitive fiber optic circulator is a compact, patented, high-performance lightwave component that routes incoming signals from Port 1 to Port 2, and incoming Port 2 signals to Port 3. This component provides high isolation, very low insertion loss, low polarization dependent loss (PDL), low polarization mode dispersion (PMD), and excellent environmental stability.

2

Dimensions Diagram

(Specifications in mm unless otherwise noted.)

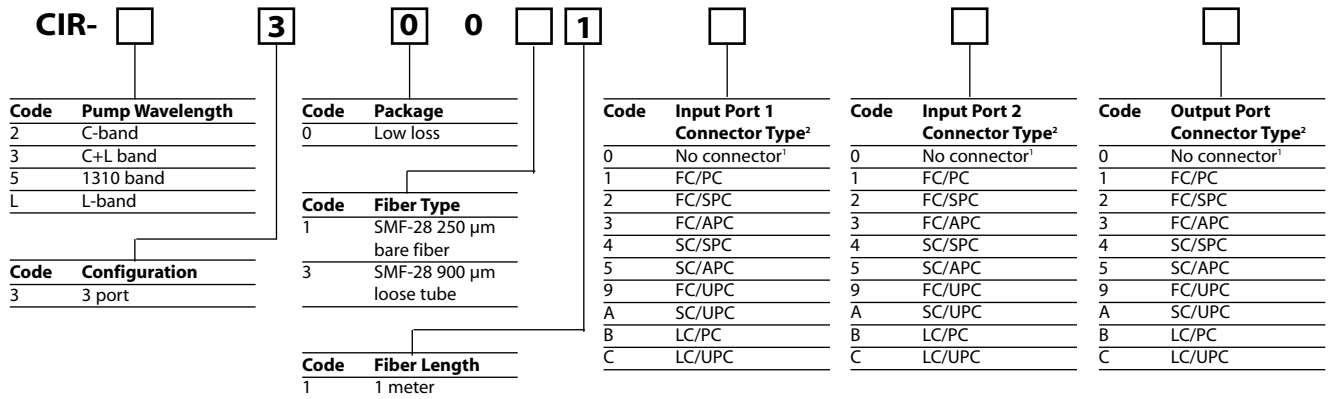


Specifications

Parameter		C band	L band	C+L band	1310 nm band
Signal central wavelength λ_c		1530 to 1570 nm	1570 to 1620 nm	1520 to 1620 nm	1295 to 1325 nm
Insertion loss (over temperature and wavelength, SOP)	Maximum	0.6 dB	0.6 dB	0.9 dB	0.9 dB
Peak isolation				55 dB	
Isolation (over temperature and wavelength range, SOP)	Minimum	35 dB	35 dB	28 dB	28 dB
Temperature dependent loss	Typical			0.05 dB	
Directivity (Port 1→3, Port 3→1)	Minimum			50 dB	
Polarization dependent loss	Typical			0.05 dB	
	Maximum			0.12 dB	
Polarization mode dispersion	Typical			0.05 ps	
	Maximum			0.1 ps	
Optical return loss (all ports)	Minimum			50 dB	
Operating temperature				0 to 60°C	
Storage temperature				-40 to 85°C	
Input optical power	Maximum			500 mW	
Tensile load	Maximum			5 N	
Package dimensions (D x L)				5.5±0.1 x 47±2 mm	
Device marking		JDSU logo, JDSU model name and device serial number			
Fiber color code		Input port 1: black; input port 2 and output port 3: natural			

Ordering Information

For more information on this or other products and their availability, please contact your local JDSU account manager or JDSU directly at 1-800-498-JDSU (5378) in North America and +800-5378-JDSU worldwide, or via e-mail at customer.service@jdsu.com.

Sample: CIR-330011000


1. Standard.

2. Insertion loss, extinction ratio, and return loss depend on connector type.