

SHIELDED SMD INDUCTOR DR357-2 SERIES

Features

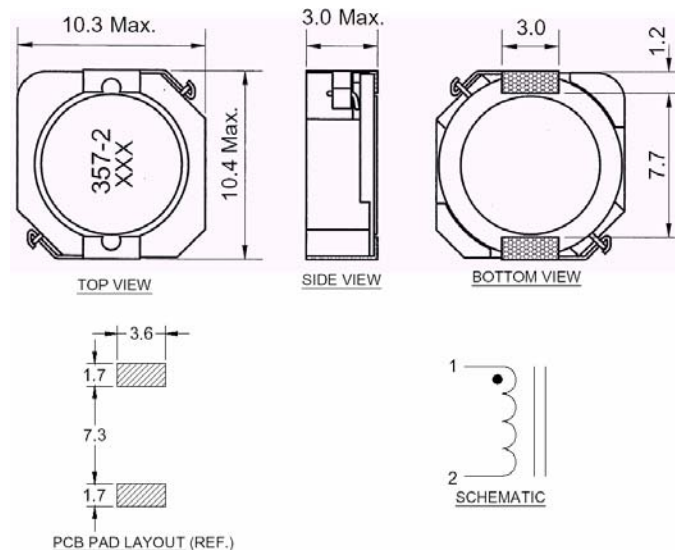
- Low Profile Surface Mount Design
- Flat Top for Pick and Place
- Inductance Range from 10.0 μ H to 150.0 μ H
- Operating Temp. -30°C to +80°C
- Tinned Leads with Leaded Solder is Available (note 7)



ELECTRICAL SPECIFICATIONS AT 25°C

Part No.	Inductance (μ H) \pm 30%	DCR (Ω) Max.	I _{rated} (A) Max.
DR357-2-103	10.0	0.058	2.70
DR357-2-123	12.0	0.072	2.25
DR357-2-153	15.0	0.087	2.22
DR357-2-183	18.0	0.116	1.90
DR357-2-223	22.0	0.145	1.78
DR357-2-273	27.0	0.176	1.63
DR357-2-333	33.0	0.213	1.16
DR357-2-393	39.0	0.269	1.32
DR357-2-473	47.0	0.299	1.18
DR357-2-563	56.0	0.336	1.10
DR357-2-683	68.0	0.451	1.04
DR357-2-823	82.0	0.514	0.94
DR357-2-104	100.0	0.700	0.84
DR357-2-124	120.0	0.765	0.76
DR357-2-154	150.0	0.876	0.70

MECHANICAL OUTLINES



Notes:

1. All dimensions are shown in millimeter "mm"
2. General tolerance \pm 0.2mm, unless other specified
3. Inductance Test: 100kHz, 0.1Vrms
4. I_{rated} for an approximate 40°C temperature rise
5. I_{rated} for an approximate 35% drop maximum of the initial value
6. Tape and reel quantity, 1000 pcs/reel
7. For non-RoHS parts replace DR prefix with 42- (e.g. DR357-2 becomes 42-357-2)
8. Terminal finish is compliant to RoHS requirements. Solder in accordance with J-STD-020C