

SEE DETAIL S

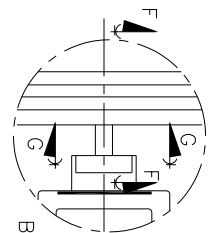
RECYCLE WITH SEMICYCLE  
USA 512-339-4229

322.6 REF

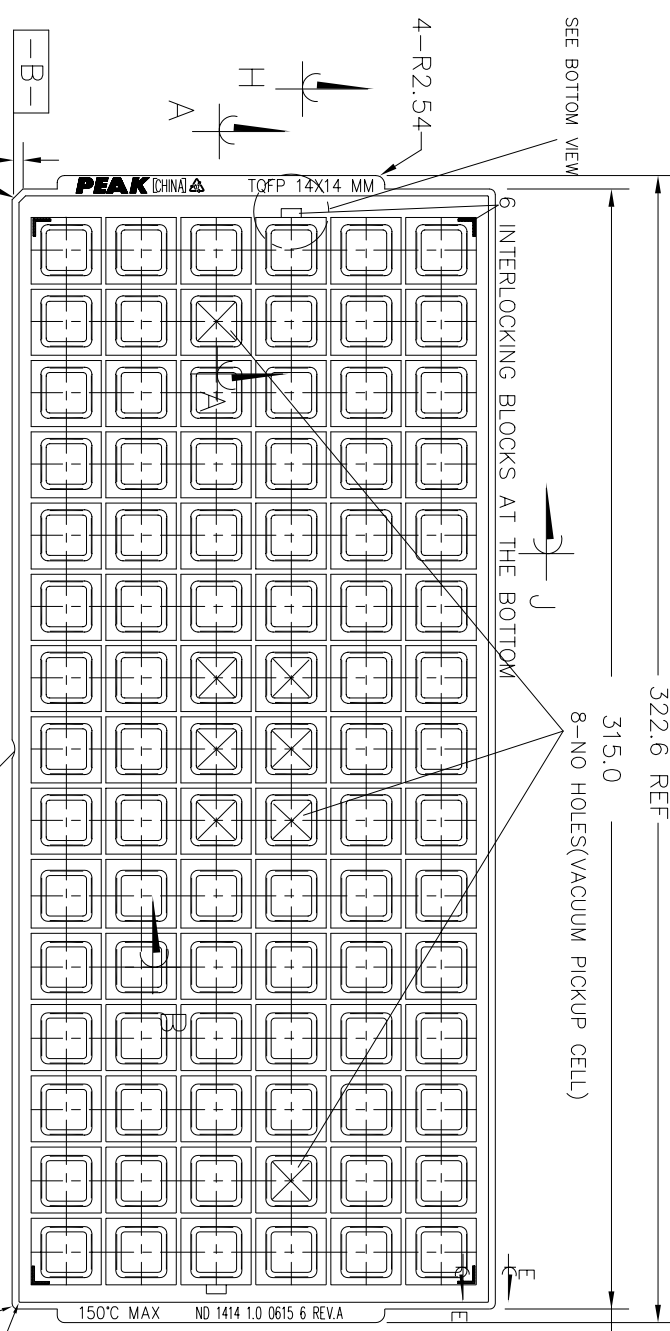
315.0

8-NO HOLES(VACUUM PICKUP CELL)

6 INTERLOCKING BLOCKS AT THE BOTTOM



BOTTOM VIEW



3.0X45°

3-R0.3

3-R1.6

12.7

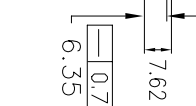
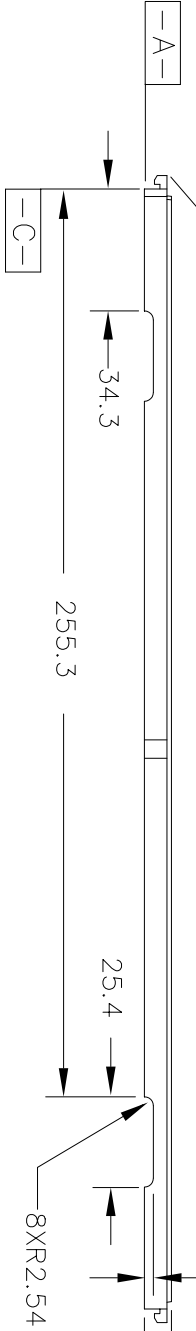
92.1

135.9

CHAMFER INDICATES PACKAGE PIN#1 ORIENTATION

SEE DETAIL C

SEE DETAIL D



RECYCLE WITH SEMICYCLE  
USA 512-339-4229

DETAIL S

**PEAK** PEAK PLASTIC & METAL PRODUCTS (INTERNATIONAL) LTD.  
UNIT 4, 5 & 7 37/F., WING LEE BUILDING  
9 HONG SPING ROAD, TSUI WAI MAN, N.T.  
HONG KONG

11	P-00611	CHANGE POSITIONAL TOL	21 AUG 97	M.S.K.HOO
10	P-00548	DELETED "ASSEMBLED IN SINGAPORE"	2 SEP 95	M.S.K.HOO
9	P-00457	CHANGE "LOW TEMP." TO "75C MAX."	12 JAN 95	M.S.K.HOO
8	P-00344	CHANGE LOGO & ADD PPE DRAWING	6 JULY 94	M.S.K.HOO
7	P-00300	CHANGE PART NO.	20 MAY 94	M.S.K.HOO
6	P-00263	IMPROVE INTERLOCKING FEATURE	27 DEC 93	M.S.K.HOO
REV. NO.	ECN #	DESCRIPTION	DATE	APPROVED BY

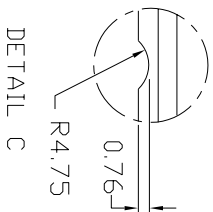
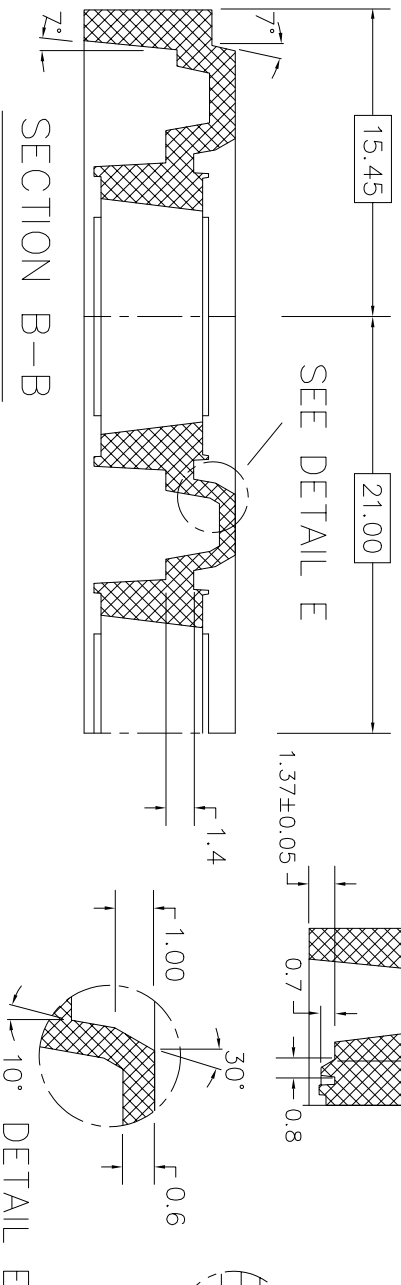
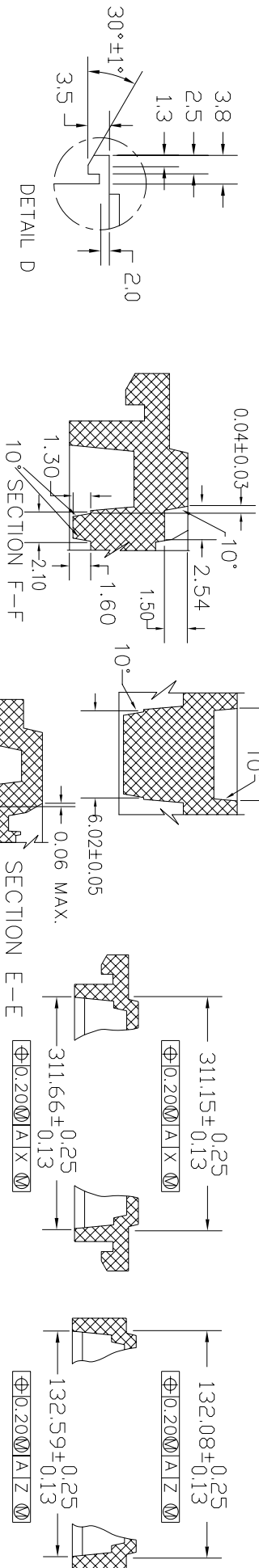
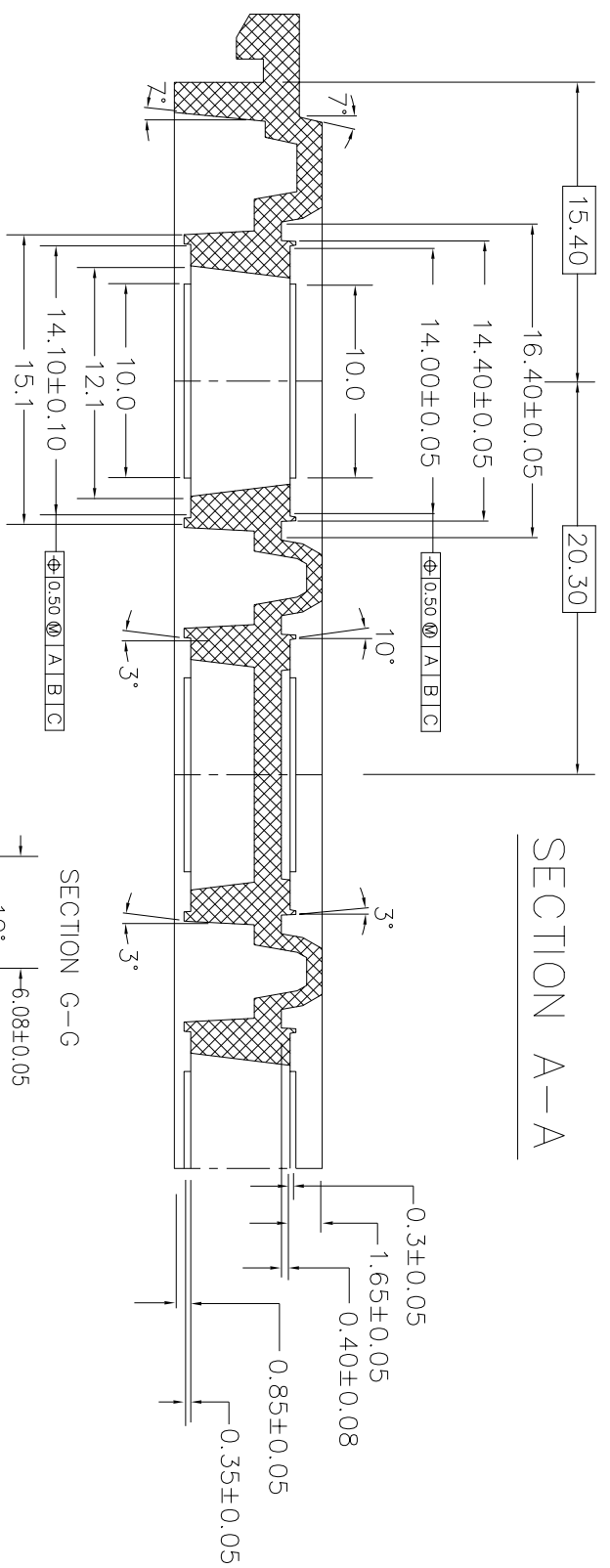
THIS DOCUMENT CONTAINS INFORMATION PROPRIETARY TO PEAK PLASTIC & METAL PRODUCTS (INTERNATIONAL) LIMITED. REPRODUCTION DISCLOSURE OR USE OF THIS DOCUMENT IS EXPRESSLY PROHIBITED EXCEPT OTHERWISE AGREED UPON IN WRITING.

DRAWN BY :	Qifang	PAGE 1 OF 2
CHECKED BY :		DATE : 21 AUG 97
APPROVED BY :		DATE : 21 AUG 97
APPROVED BY :		DATE : 21 AUG 97
DO NOT SCALE DRAWING	CODE : C5A00602	

CUSTOMER : **PEAK**  
TITLE : ND 1414 1.0 0615 6 REV.A  
DWG NO. : ND 1414 1.0 0615 6 REV.A REV. 11

NOTES:

1. MATERIAL - PP6 (BLACK).
2. ALL DIMENSIONS ARE IN MILLIMETERS.
3. TOLERANCES - X.X=±0.25  
-X.XX=±0.13
4. UNLESS OTHERWISE SPECIFIED, ESD - SURFACE RESISTIVITY - 10<sup>6</sup> TO 10<sup>10</sup> OHMS/SQ.
5. FOR PACKAGE - 1.0 MM THICKNESS.
6. PART NO. : ND 1414 1.0 0615 6 REV.A (PLEASE INDICATE ON PURCHASE ORDER).



11	P-00611	CHANGE POSITIONAL TOL	21 AUG 97	M.S.K.HOO
10	P-00548	DELETED "ASSEMBLED IN SINGAPORE"	2 SEP 95	M.S.K.HOO
9	P-00457	CHANGE "LOW TEMP." TO "75C MAX."	12 JAN 95	M.S.K.HOO
8	P-00344	CHANGE LOGO & ADD PPE DRAWING	6 JULY 94	M.S.K.HOO
7	P-00300	CHANGE PART NO.	20 MAY 94	M.S.K.HOO
6	P-00263	IMPROVE INTERLOCKING FEATURE	27 DEC 93	M.S.K.HOO
REVNO.	ECN #	DESCRIPTION	DATE	APPROVED BY

THIS DOCUMENT CONTAINS INFORMATION PROPRIETARY TO PEAK PLASTIC & METAL PRODUCTS (INTERNATIONAL) LIMITED. REPRODUCTION DISCLOSURE OR USE OF THIS DOCUMENT IS EXPRESSLY PROHIBITED EXCEPT OTHERWISE AGREED UPON IN WRITING.

DRAWN BY :	Qifang	PAGE 2 OF 2
CHECKED BY :		DATE : 21 AUG 97
APPROVED BY :		DATE : 21 AUG 97
APPROVED BY :		DATE : 21 AUG 97
DO NOT SCALE DRAWING	CODE : CSM00602	

**PEAK**

PEAK PLASTIC & METAL PRODUCTS (INTERNATIONAL) LTD.  
 UNIT 4, 5 & 7, 37/F., WILHART CABLE TOWER,  
 9 HUI SHING ROAD, TSUI HAN MAN, N.T., HONG KONG

CUSTOMER :	<b>PEAK</b>
TITLE :	ND 1414 1.0 0615 6 REV.A
DWG NO. :	ND 1414 1.0 0615 6 REV.A
REV. 11	