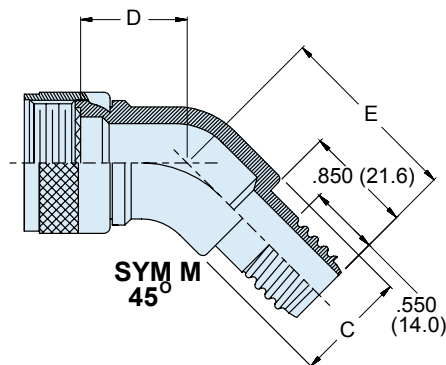
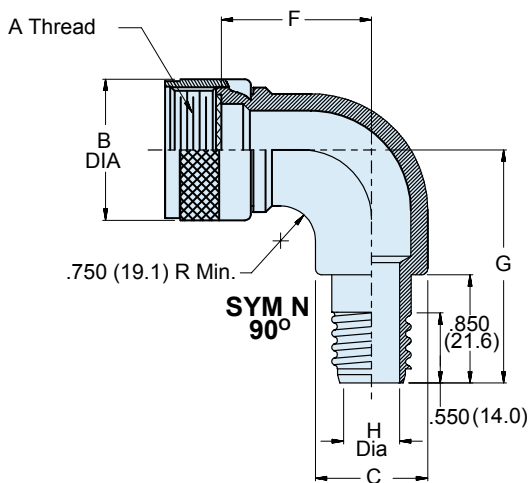
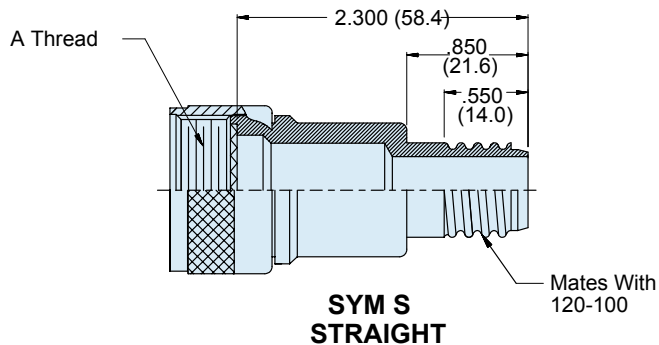
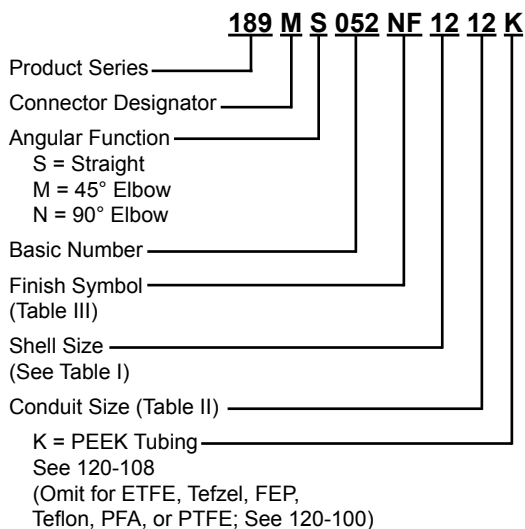


189 M* 052 Convolute Tubing Backshell for Series 80 "Mighty Mouse" Fiber Optic Connectors



APPLICATION NOTES

1. Material/ Finish:
 Adapter, Coupling Nut and Ferrule- Al Alloy/ See Table II.
 O-Ring: Fluorosilicone/ N.A.
 Detent Spring: Torton/ N.A.
2. Assembly to be identified with manufacturer's name and P/N, space permitting.
3. Metric dimensions (mm) are indicated in parentheses.

189 M* 052
Convolute Tubing Backshell
for Series 80 "Mighty Mouse" Fiber Optic Connectors



TABLE I: SHELL SIZE

Shell Size	A Thread Class 2B	B Max	C	D Max	E Max	F Max	G Max
12	.6875-24 UNEF-2A	.910 (23.1)	.620 (15.7)	.910 (23.1)	1.250 (31.8)	1.985 (50.4)	2.395 (60.8)
14	.9375-20 UNEF-2A	1.250 (31.8)	.875 (22.2)	1.020 (25.9)	1.370 (34.8)	2.115 (53.7)	2.465 (62.6)
15	.9375-20 UNEF-2A	1.250 (31.8)	.875 (22.2)	1.020 (25.9)	1.370 (34.8)	2.115 (53.7)	2.465 (62.6)

TABLE II: PEEK CONDUIT SIZE

Conduit Size		H Max
Frac. Size	Dash No.	
3/8	12	.320 (8.1)
1/2	16	.425 (10.8)
5/8	20	.550 (14.0)
3/4	24	.680 (17.3)

TABLE III: FINISH

SYM	MATERIAL	FINISH
NF	Aluminum	Cadmium/Olive Drab over Electroless Nickel (500 Hr. Salt Spray)
B	Aluminum	Cadmium Plate/Olive Drab
J	Aluminum	Gold Iridite over Cadmium Plate over Nickel
N	Aluminum	Cadmium Plate/Olive Drab over Nickel
M	Aluminum	Electroless Nickel
T	Aluminum	Cadmium Plate/Bright Dip over Nickel