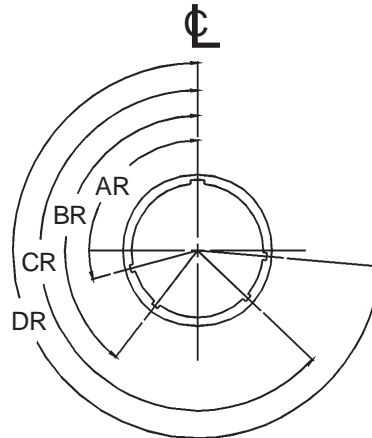


Shell Size/ Insert Arrangement	Shell Size Ref	A Thread Class 2*	B Max	Contact Size 20: Quantity
A1	11	.750—.1P—0.2L—DS	1.028 (26.1)	7
B1	13	.875—.1P—0.2L—DS	1.141 (29.0)	12
C1	15	1.062—.1P—0.2L—DS	1.263 (32.1)	21
D1	17	1.125—.1P—0.2L—DS	1.387 (35.2)	31
E1	19	1.312—.1P—0.2L—DS	1.513 (38.4)	42
F1	23	1.500—.1P—0.2L—DS	1.703 (43.3)	64
G1	25	1.625—.1P—0.2L—DS	1.825 (46.4)	92
H1	29	1.812—.1P—0.2L—DS	2.143 (54.4)	121
J1	33	2.000—.1P—0.2L—DS	2.329 (59.2)	155

Metric Dimensions (mm) are indicated in parentheses.

Insert Arrangements			
Shell Size Desig	Shell Size Ref	Insert Arrangement Dash No.	Contact Size 20: Quantity
A	11	A-1	7
B	13	B-1	12
C	15	C-1	21
D	17	D-1	31
E	19	E-1	42
F	23	F-1	64
G	25	G-1	92
H	29	H-1	121
J	33	J-1	155



FACE VIEW  
PIN INSERT

Alternate Keyway Positions							
Shell Size Desig	Shell Size Ref	Key and Keyway Arrangement	AR°	BR°	CR°	DR°	
A B	11	1	95	141	208	236	
		2	113	156	182	292	
		3	90	145	195	252	
	13	4	53	156	220	255	
		5	119	146	176	298	
		6	51	141	184	242	
C D	15	1	80	142	196	293	
		2	135	170	200	310	
		3	49	169	200	244	
	17	4	66	140	200	257	
		5	62	145	180	280	
		6	79	153	197	272	
E F G H J	19	1	80	142	196	293	
		2	135	170	200	310	
		3	49	169	200	244	
	23	4	66	140	200	257	
		25	5	62	145	180	280
			6	79	153	197	272
29	33	5	62	145	180	280	
		6	79	153	197	272	