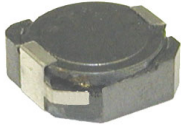


## EPI F2222 Series

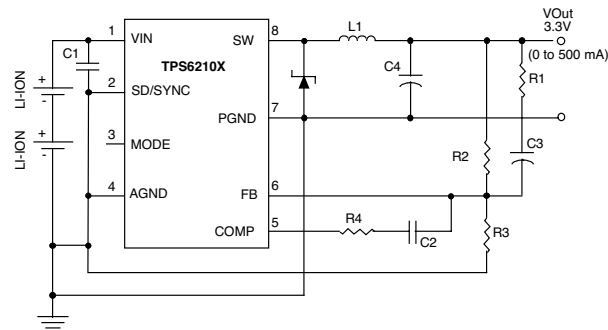
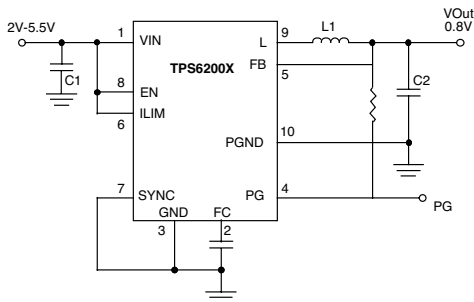


- Used in PDA's, Cell Phones, Digital Cameras, MP3 Players, Low Power CPU & DSP Supply and Organizers
- Used as an Inductor in TI TPS6205X, TPS6110X, TPS6200X, TSP6210X and TPS6220X Series Applications
- Low loss material ensures operation in high frequency switching converters, such as Buck, Boost or as output averaging filter inductor

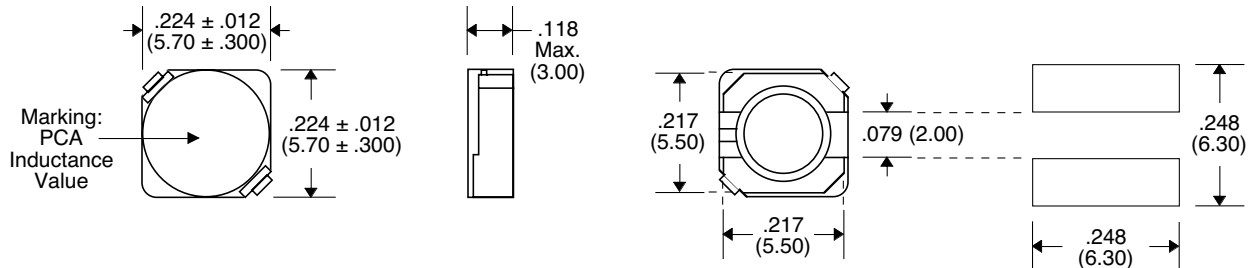
### Primary Specification

Part Number	Induct. ( $\mu\text{H} \pm 20\%$ @ 0 Adc)	DCR ( $\Omega$ Max.)	Idc (Amp.)
EPI2L6262F2222	2.6	.018	2.6
EPI3L0242F2222	3.0	.024	2.4
EPI4L2222F2222	4.2	.031	2.2
EPI5L3192F2222	5.3	.038	1.9
EPI6L2182F2222	6.2	.045	1.8
EPI8L2162F2222	8.2	.053	1.6
EPI100132F2222	10	.065	1.3
EPI150112F2222	15	.103	1.1
EPI220901F2222	22	.122	.90
EPI330751F2222	33	.189	.75
EPI470621F2222	47	.260	.62
EPI560581F2222	56	.305	.58
EPI680521F2222	68	.355	.52
EPI820461F2222	82	.463	.46
EPI101421F2222	100	.520	.42

### Applications



### Package F2222



Unless Otherwise Specified Dimensions are in Inches /mm  $\pm .010 / .25$