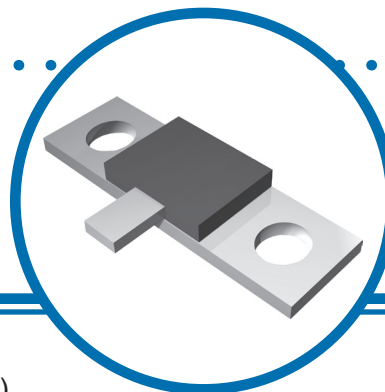


High Power Flanged RF Terminators

RFTXXX-1 Series

- Flange construction
- High frequency operation up to 5GHz
- High power dissipation to 250W
- Long life, temperature stable thin film technology



IRC's RFTXXX-1 series utilizes the combined benefits of flange cooling and the high thermal conductivity of aluminum nitride (AlN) substrate to provide power ratings from 10W to 250W. This series comes with single-sided or double-sided flanges and single leaded terminal configurations, adding increased RF design flexibility. Typical applications for the RFTXXX-1 series include aerospace, wireless communication, satellites, RF power sources, power amplifiers, and termination in isolator/circulators.

Electrical Data

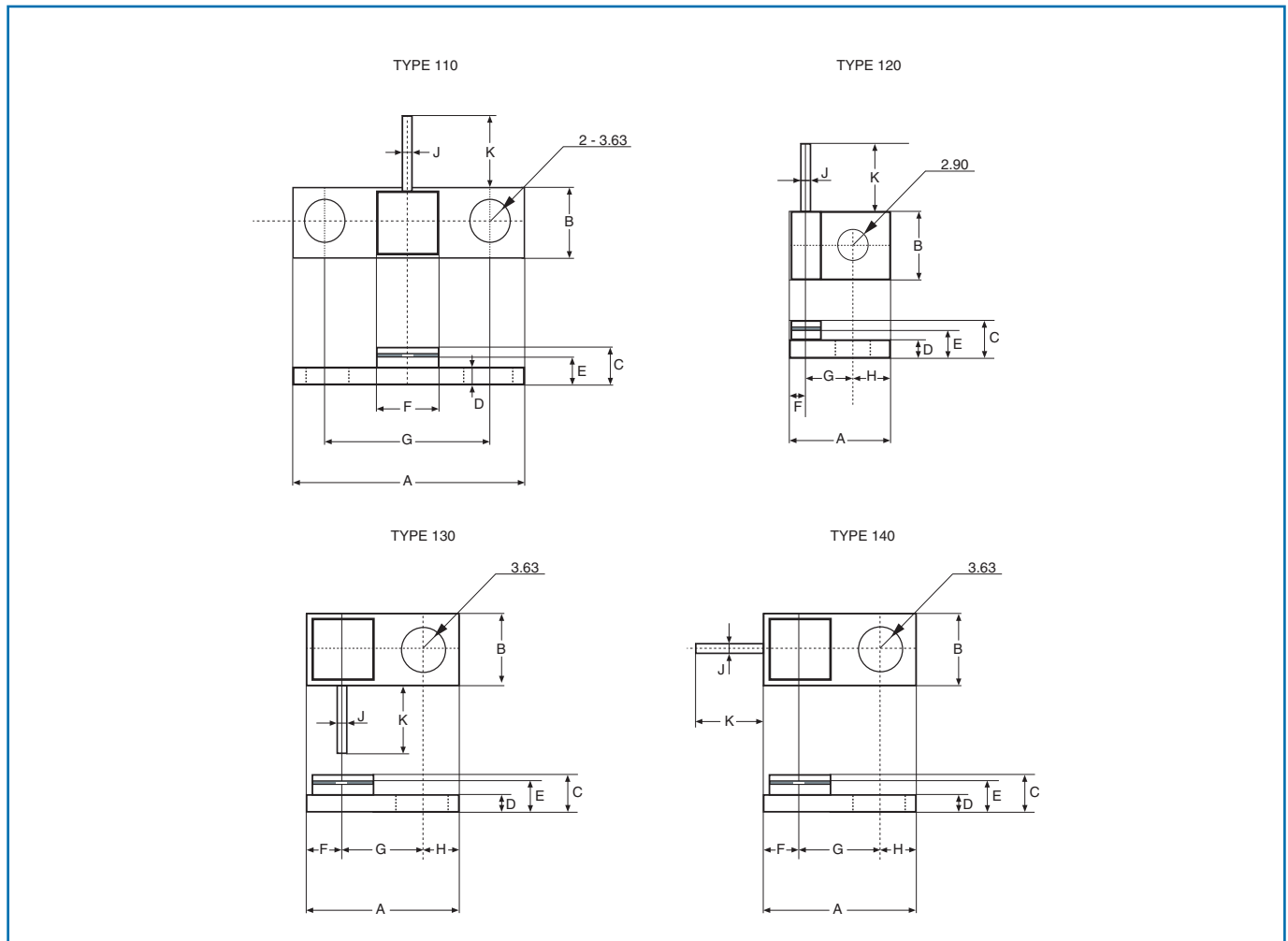
	RFT010-120LF	RFT050-110LF	RFT100-110LF	RFT250-110LF
Power Rating	10W	50W	100W	250W
Peak Pulse Power	20W	100W	200W	500W
VSWR	<1.15	<1.15	<1.2	<1.2
Resistance	50Ω			
Tolerance	±1%			
Frequency Range	DC to 5GHz			
Absolute TCR	±50ppm/°C			
Operating Temperature Range	-55°C to +155°C			
Terminations	Gold plated copper			

General Note

IRC reserves the right to make changes in product specification without notice or liability. All information is subject to IRC's own data and is considered accurate at time of going to print.

High Power Flanged RF Terminators

Physical Data



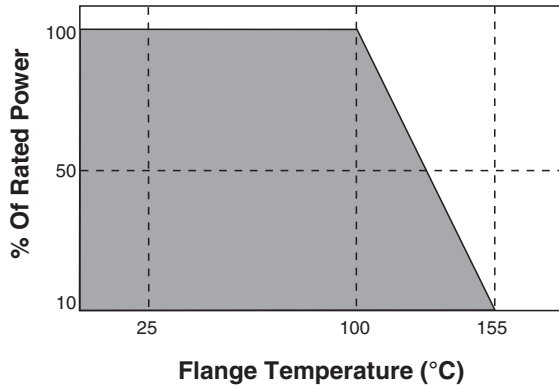
Dimensions (mm)

	A	B	C	D	E	F	G	H	J	K
RFT010	7.10	5.10	3.10	1.50	2.20	1.50	3.50	2.10	0.80	5.08
RFT050	13.08	6.35	3.10	1.50	2.20	(2.54)	7.49	3.05	0.80	5.08
RFT050	20.30	5.70	3.10	1.50	2.60	5.08	14.20	--	1.50	5.08
RFT100	20.30	6.35	3.10	1.50	2.60	8.89	14.20	--	1.50	5.08
RFT250	25.00	9.53	4.50	3.00	4.10	9.52	18.42	--	3.00	5.08

High Power Flanged RF Terminators



Power Derating Curve



Ordering Data

Prefix	HFR	-	RFT010	110	-	C50 OHM	F	Z00
Model	RFT010; RFT050; RFT100; RFT250							
Type	110; 120; 130; 140							
Resistance	C50 OHM							
Tolerance	F = ±1%							
Packaging	Z00 = Tray							