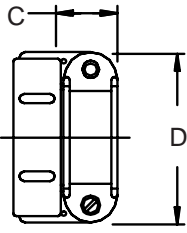
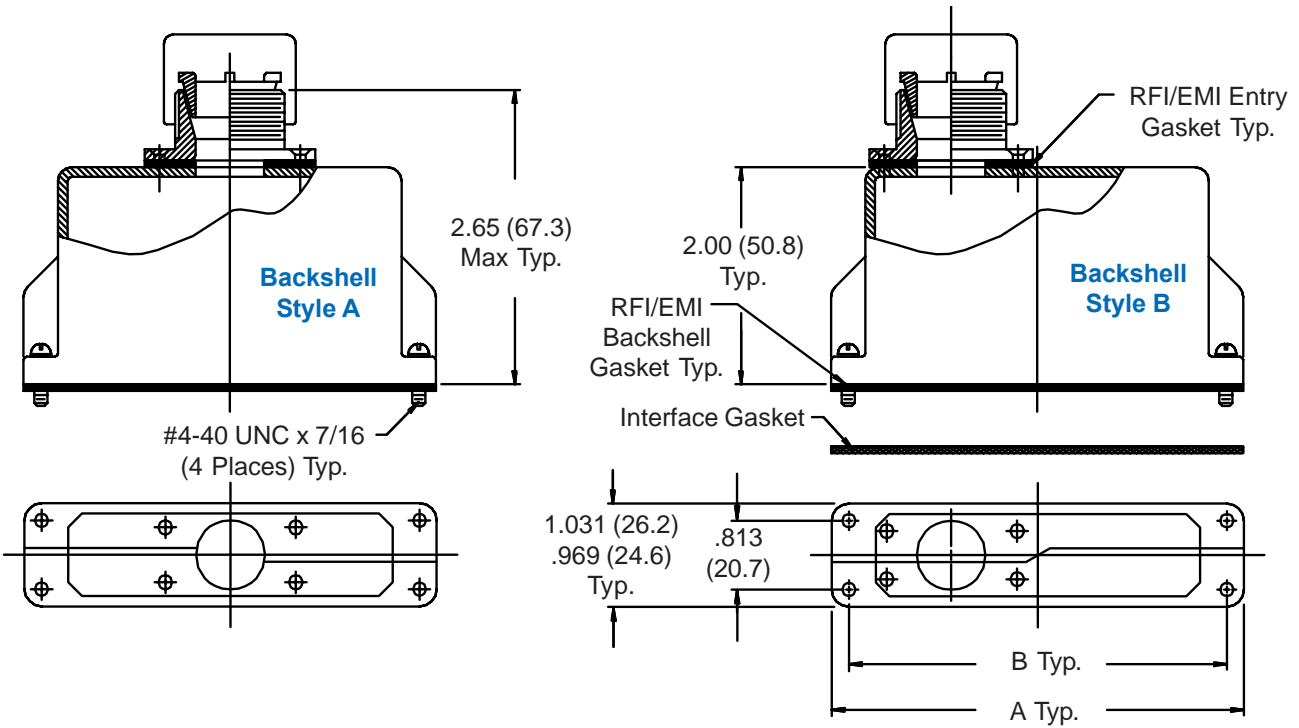


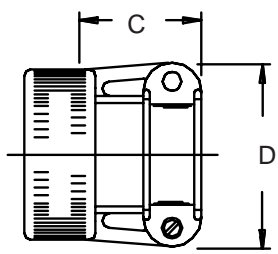
## 527-016 Split EMI/RFI Conical Ring Style Backshell for Cannon DPKA and DPKB Series Connectors

**527-016 M 10 A 1 A M**

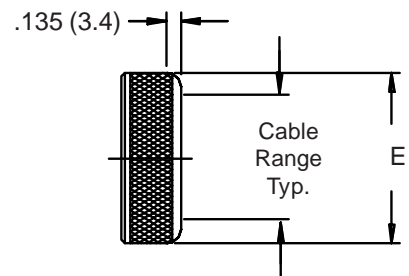
Basic Part No.						Strain Relief (Style A or D) or Gland Nut (Style M)
Finish Symbol (Table III)						Backshell Style: A or B (Style B Available on Connector Sym B Only)
Dash No. (Table II)						1 = With RFI/EMI Gaskets, 2 = Without RFI/EMI Gaskets
Connector Symbol (Table I)						



**Strain Relief  
Style A**



**Strain Relief  
Style M**



**Gland Nut  
Style D**

**527-016**  
**Split EMI/RFI Conical Ring Style Backshell**  
**for Cannon DPKA and DPKB Series Connectors**



ARINC Series  
400 (Cannon)

**TABLE I: CONNECTOR INTERFACE DIMS**

Connector Symbol	Connector Series	A ±.062 (1.6)	B ±.005 (.1)
A	DPKA	2.095 (53.2)	1.895 (48.1)
B	DPKB/DPJM	3.395 (86.2)	3.195 (81.2)

**TABLE II: CABLE ENTRY**

Dash No.	C Max	D Max	E Max	Cable Range	
				Min	Max
03	.760 (19.3)	.843 (21.4)	.630 (16.0)	.156 (4.0)	.250 (6.4)
04	.760 (19.3)	.906 (23.0)	.755 (19.2)	.188 (4.8)	.312 (7.9)
06	.760 (19.3)	1.093 (27.8)	.942 (23.9)	.281 (7.1)	.438 (11.1)
08	.760 (19.3)	1.187 (30.1)	1.067 (27.1)	.344 (8.7)	.562 (14.3)
10	.760 (19.3)	1.281 (32.5)	1.192 (30.3)	.375 (9.5)	.625 (15.9)
12	.760 (19.3)	1.500 (38.1)	1.380 (35.1)	.438 (11.1)	.750 (19.1)

**TABLE III - FINISH OPTIONS**

Symbol	Finish
B	Cadmium Plate, Olive Drab
J	Iridite, Gold Over Cadmium Plate over Nickel
M	Electroless Nickel
N	Cadmium Plate, Olive Drab, Over Nickel
NF	Cadmium Plate, Olive Drab, Over Electroless Nickel (500 Hour Salt Spray)
T	Cadmium Plate, Bright Dip Over Nickel (500 Hour Salt Spray)

**CONSULT FACTORY FOR  
OTHER AVAILABLE FINISHES**

1. Metric dimensions (mm) are indicated in parentheses.
2. Material/Finish:  
 Adapter, Backshell, Clamp Assemblies,  
 Gland Nut = Al Alloy/Table II  
 Hardware = SST/Passivate  
 Backshell and Entry Gaskets = Metalastic/N.A.  
 Interface Gasket = Monel Mesh/N.A.