

**Data Sheet**

telephone  
949 252 0522



BACK

Product Category: Ceramic Resonator

Series Number	Package	Description	Last Modified
670 ~ 671	ZTACC / ZTTCC Ceramic	SMD Resonator	Jan. 01 2007

**FEATURES**

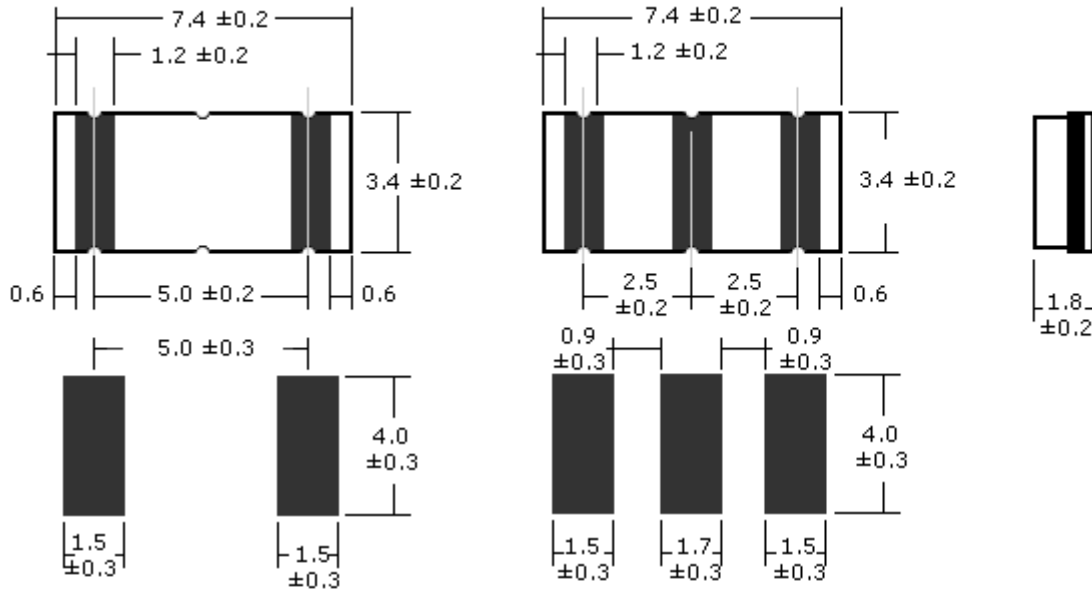
- Low frequencies Surface Mount Ceramic Resonator
- Extended temperature range
- High stability
- RoHS Compliant

**OPERATING CONDITIONS / ELECTRICAL CHARACTERISTICS**

Series No.	Type	Fig	Frequency Range*	Frequency Accuracy	Stability in Temperature	Aging for Ten Years
			(MHz)	@ 25° (MHz)	-20° ~ +80°C	-
670	ZTACC	1	1.79 ~ 8.00	±0.5%	±0.3%	±0.3 %
671	ZTTCC	2				

\*Higher Freq. Avail. Contact Oscilent for assistance.

**PACKAGE DIMENSIONS (mm)**



Recommended Land Pattern

Recommended Land Pattern

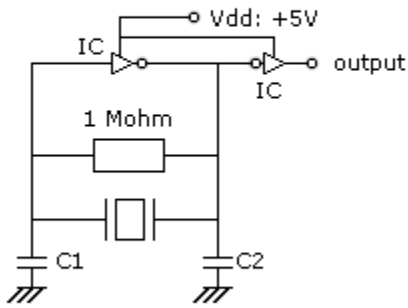


Figure 1) ZTACC

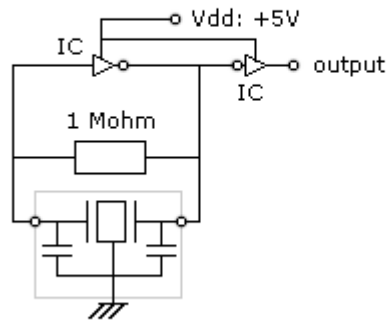


Figure 2) ZTTCC

Test Circuit IC

Freq. 1.79 ~ 8.0 MHz: IC: 1/6TC4069UBPx2

**VALUES OF C1 & C2**

Frequency Range (MHz)	C1 (pF)	C2 (pF)
1.79 ~ 8.00	30	30

**PART NUMBER GUIDE**

Part Number	Frequency	Load Capacitance	Frequency Accuracy (%)	Operating Temp (°C)	Packaging**
670	- 3.5M	- 32	- 03	W	Blank* = Bulk -TR = Tape/ Reel
670 = ZTACC 671 = ZTTCC	e.g. -3.5M = 3.50 MHz Std. Range = 1.79 ~ 8.00 MHz Higher Freq. Avail. Contact Oscilent for assistance.	Blank* = Standard as shown in above Table or Fill in the blank e.g 32 = 32pF	Blank* = ±0.5% -03 = ±0.3%	Blank* = -20 ~ +80 -N = -40 ~ +85 -W = -40 ~ +125	

**NOTE:** Deviations on all parameters available. Please consult Oscilent for details.

**DEFINITIONS:** Click on the characteristic names above, for definitions of the particular characteristic.

**\*STANDARDS:** "Blank" part number selections, indicate standard variables for the particular characteristic.

**\*\*PACKAGING:** Click on the packaging name above for Tape/Reel specifications

[Crystal Oscillators](#) | [Quartz Crystal](#) | [TCXO](#) | [VCXO](#) | [IF SAW Filter](#) | [RF SAW Filter](#) | [Ceramic Resonator](#)  
[Crystal Filter](#) | [Ceramic Filter](#) | [SAW Filter / SAW Devices](#) | [Site Map](#)