

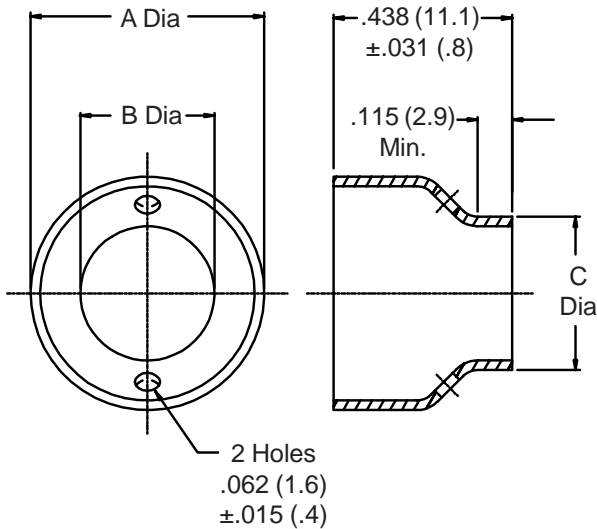
# AS85049/32-2 Adapter Reducer



Miscellaneous  
Accessories

MIL-DTL-38999  
Series I & II

M85049/32-2-8  
Basic Part No. \_\_\_\_\_ Dash No. \_\_\_\_\_



1. For complete dimensions see applicable Military Specification.
2. Metric dimensions (mm) are indicated in parentheses.
3. Material: Copper alloy. Finish: Tin-lead solder plate.
4. Adapter reducer for use with M85049/32-1 and M85049/33-1.

| TABLE I  |                         |             |             |      |        |  |  |
|----------|-------------------------|-------------|-------------|------|--------|--|--|
| Dash No. | Fits Adapter Shell Size | A Dia Ref   | B Dia Min   | C    |        |  |  |
|          |                         |             |             | Max  |        |  |  |
| 81       | 8                       | .291 (7.4)  | .163 (4.1)  | .219 | (5.6)  |  |  |
| 82       | 8                       | .291 (7.4)  | .171 (4.3)  | .234 | (5.9)  |  |  |
| 83       | 8                       | .291 (7.4)  | .187 (4.7)  | .250 | (6.4)  |  |  |
| 101      | 10                      | .346 (8.8)  | .216 (5.5)  | .266 | (6.8)  |  |  |
| 121      | 12                      | .441 (11.2) | .197 (5.0)  | .250 | (6.4)  |  |  |
| 122      | 12                      | .441 (11.2) | .216 (5.5)  | .266 | (6.8)  |  |  |
| 123      | 12                      | .441 (11.2) | .279 (7.1)  | .328 | (8.3)  |  |  |
| 141      | 14                      | .506 (12.9) | .216 (5.5)  | .266 | (6.8)  |  |  |
| 142      | 14                      | .506 (12.9) | .289 (7.3)  | .344 | (8.7)  |  |  |
| 143      | 14                      | .506 (12.9) | .311 (7.9)  | .359 | (9.1)  |  |  |
| 144      | 14                      | .506 (12.9) | .342 (8.7)  | .391 | (9.9)  |  |  |
| 145      | 14                      | .506 (12.9) | .359 (9.1)  | .406 | (10.3) |  |  |
| 146      | 14                      | .571 (14.5) | .386 (9.8)  | .438 | (11.1) |  |  |
| 161      | 16                      | .571 (14.5) | .216 (5.5)  | .266 | (6.8)  |  |  |
| 162      | 16                      | .571 (14.5) | .289 (7.3)  | .344 | (8.7)  |  |  |
| 163      | 16                      | .571 (14.5) | .342 (8.7)  | .391 | (9.9)  |  |  |
| 164      | 16                      | .571 (14.5) | .405 (10.3) | .453 | (11.5) |  |  |
| 165      | 16                      | .571 (14.5) | .327 (8.3)  | .375 | (9.5)  |  |  |
| 181      | 18                      | .616 (15.6) | .216 (5.5)  | .266 | (6.8)  |  |  |
| 182      | 18                      | .616 (15.6) | .289 (7.3)  | .344 | (8.7)  |  |  |
| 183      | 18                      | .616 (15.6) | .342 (8.7)  | .391 | (9.9)  |  |  |
| 184      | 18                      | .616 (15.6) | .380 (9.7)  | .430 | (10.9) |  |  |
| 185      | 18                      | .616 (15.6) | .450 (11.4) | .500 | (12.7) |  |  |
| 201      | 20                      | .664 (16.9) | .327 (8.3)  | .375 | (9.5)  |  |  |
| 202      | 20                      | .664 (16.9) | .390 (9.9)  | .453 | (11.5) |  |  |
| 203      | 20                      | .664 (16.9) | .444 (11.3) | .500 | (12.7) |  |  |
| 204      | 20                      | .664 (16.9) | .405 (10.3) | .469 | (11.9) |  |  |
| 205      | 20                      | .664 (16.9) | .483 (12.3) | .531 | (13.5) |  |  |
| 206      | 20                      | .664 (16.9) | .499 (12.7) | .547 | (13.9) |  |  |
| 221      | 22                      | .738 (18.7) | .358 (9.1)  | .406 | (10.3) |  |  |
| 222      | 22                      | .738 (18.7) | .437 (11.1) | .484 | (12.3) |  |  |
| 223      | 22                      | .738 (18.7) | .452 (11.5) | .500 | (12.7) |  |  |
| 224      | 22                      | .738 (18.7) | .468 (11.9) | .516 | (13.1) |  |  |
| 225      | 22                      | .738 (18.7) | .561 (14.2) | .609 | (15.5) |  |  |
| 241      | 24                      | .796 (20.2) | .593 (15.1) | .641 | (16.3) |  |  |