

## SMD INDUCTOR DR355-4 SERIES

### Features

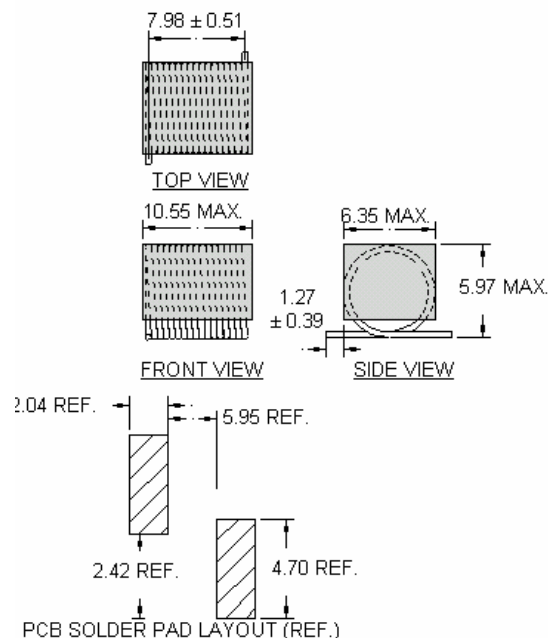
- Low Profile Surface Mount Design
- Suitable for Reflow soldering
- Inductance Range from 90nH to 538nH
- Operating Temp. -40°C to +125°C
- Tinned Leads with Leaded Solder is Available (note 3)



### ELECTRICAL SPECIFICATIONS AT 25°C

PART NO.	INDUCTANCE (nH) @ 0A		DCR (mΩ) MAX.	MAX. RATED CURRENT (A) (TYP.)
DR355-4-903	90±5%	@50MHz	15.0	3.5
DR355-4-114	111±5%	@50MHz	15.0	3.5
DR355-4-134	130±5%	@50MHz	20.0	3.0
DR355-4-174	169±5%	@50MHz	25.0	3.0
DR355-4-214	206±5%	@50MHz	30.0	3.0
DR355-4-224	222±5%	@50MHz	35.0	3.0
DR355-4-254	246±5%	@50MHz	35.0	3.0
DR355-4-314	307±5%	@50MHz	35.0	3.0
DR355-4-384	380±5%	@50MHz	50.0	2.5
DR355-4-424	422±5%	@50MHz	60.0	2.5
DR355-4-494	491±5%	@50MHz	65.0	2.0
DR355-4-544	538±5%	@50MHz	90.0	2.0

### MECHANICAL OUTLINES



#### NOTE:

1. All dimensions shown are in "mm".
2. Tape and reel quantity, 2000 pcs/reel
3. For non-RoHS parts replace DR prefix with 42- (e.g. DR355-4 becomes 42-355-4)
4. Terminal finish is compliant to RoHS requirements. Solder in accordance with J-STD-020C