

Electrostatic MEMS Variable Optical Attenuator

ESVOA Series



Key Features



- Low insertion loss
- Low wavelength dependent loss
- Low polarization dependent loss
- Multiple devices easily packaged into common housing

Applications

- Power equalization in multi-channel, optically amplified networks
- Gain-tilt control in erbium doped fiber amplifiers (EDFAs)
- Power control in narrowband wavelength division multiplexers (WDMs) and configurable networks
- Photoreceiver trimming
- Receiver protection/switch during transmitter turn-ons

Compliance

- Telcordia 1209 and 1221

The JDSU Agile Optical Components family includes modulators, switches, attenuators and tunable filters. These products provide the basis for spectrally efficient DWDM transmission utilizing dispersion tolerant modulation, channel monitoring, wavelength switching, remote power control and dynamic channel selection. They support a wide range of flexible functionalities at lower operational expenses for the Agile Optical Network. In addition, we have a complete line of tunable lasers assemblies and sub-assemblies in our Agile Transmission Module family.

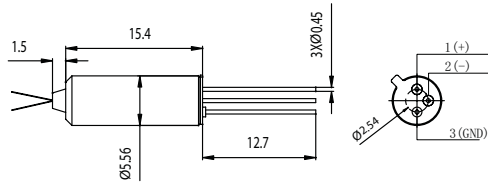
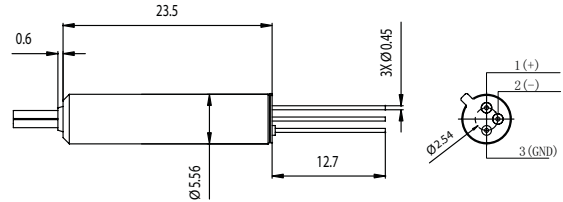
JDSU Electrostatic MEMS Variable Optical Attenuators (ESVOA) focus on key network optical power management applications. JDSU offers ESVOA series attenuators in normally open and normally closed states. ESVOA series attenuators fully comply with the Telcordia 1221 reliability program. Key features include a small size, low wavelength dependent loss (WDL), and high reliability.

The ESVOA series attenuator achieves highly repeatable optical attenuation over C and/or L bands using an electrostatic rotatable mirror. Applied voltage/power actuates the mirror to rotate, changing the light coupling between the input fiber and the output fiber of the ESVOA series attenuator.

2

Dimensions Diagram

(Specifications in mm unless otherwise noted.)

250 μm fiber900 μm fiber

Specifications

Parameter	Specification	
Attenuation type	Open or closed	
Operating wavelength range		
C band	1525 to 1575 nm	
L band	1570 to 1610 nm	
Attenuation range	Minimum	30 dB
Insertion loss ¹	Maximum	0.7 dB
Tuning speed ²	Maximum	2 ms
Optical power handling	300 mW	
Wavelength dependence ³		
At insertion loss (IL)	Maximum	0.2 dB
At 20 dB	Maximum	± 0.8 dB
Wavelength dependence ripple (0.4 nm)		
At 20 dB	Maximum	0.2 dB
Polarization dependence loss		
0 to 10 dB	Maximum	0.15 dB
10 to 20 dB	Maximum	0.3 dB
Return loss ¹	Minimum	45 dB
Drive voltage ^{2,4}	Maximum	6.5 V or 18 V DC
Drive power ²	Maximum	1.8 mW
Fiber type	9/125/250 or 9/125/900 SMF-28 or equivalent	
Fiber marking		
Input port	Red	
Output port	Clear/White	
Operating temperature	-5 to 75°C	

1. Excluding connectors

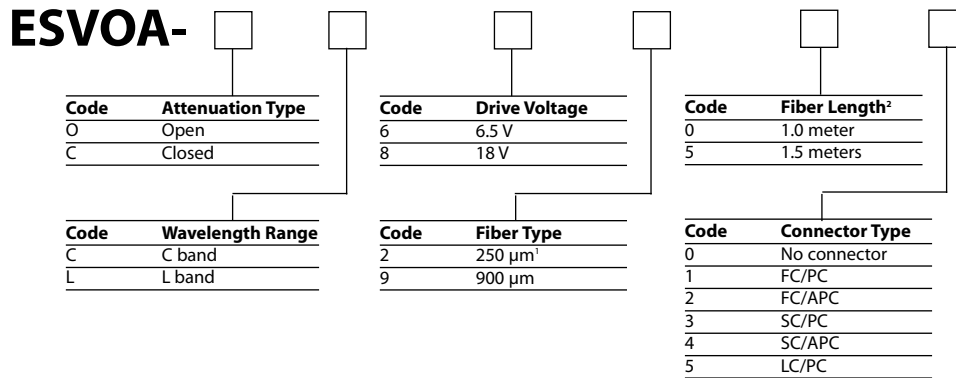
2. For full dynamic range

3. Over C or L bands at $23 \pm 3^\circ\text{C}$ relative to 1550 nm or 1590 nm

4. Other drive voltages available

Ordering Information

For more information on this or other products and their availability, please contact your local JDSU account manager or JDSU directly at 1-800-498-JDSU (5378) in North America and +800-5378-JDSU worldwide or via e-mail at customer.service@jdsu.com.

Sample: ESVOA-OC6200


1. 250 μm fiber is only available with the 'no connector' option.
2. Tolerance on fiber length is ± 0.1 m.

SMF-28 is a registered trademark of Corning Incorporated.
 Telcordia is a registered trademark of Telcordia Technologies Incorporated.

Product specifications and descriptions in this document subject to change without notice.
 © 2007 JDS Uniphase Corporation 30137460 Rev.003 05/07 ESMEMSVOA.DS.CC.AE