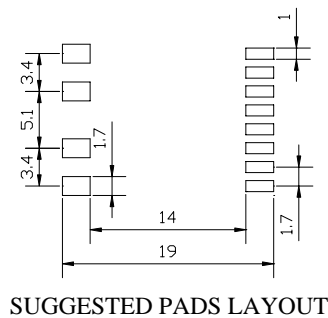
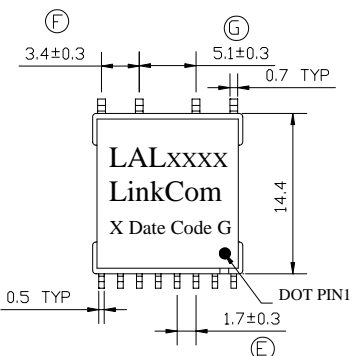
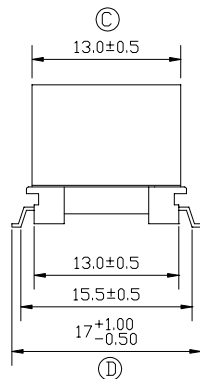
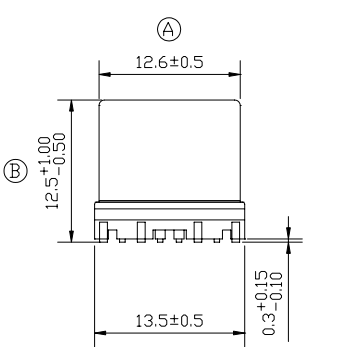


Broadband Access Transformer

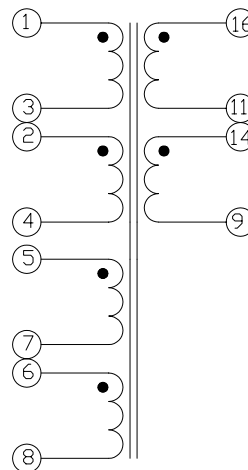
- Designed to meet UL 60950 and EN 60950 requirements for supplementary insulation
- RoHS Compliant
- Operating Temperature -40°C to 85°C

Electrical Specifications @25	
OCL:	PIN 16-9= 200uH ±6% @ 10KHz/0.1V/Ser. (PIN 11-14 Short)
Leakage Inductance:	PIN 16-9= 10uH Max. @ 100KHz/0.1V (PIN 11-14;1-2-3-4 Short)
	PIN 16-9= 20uH Max. @ 100KHz/0.1V (PIN 11-14,5-6-7-8 Short)
Turn Ratio:	PIN16-9 : PIN 1-4 = 3.8±3% :1 (PIN 11-14,PIN 2-3 Short)
	PIN16-9 : PIN 5-8 = 1±3% :1 (PIN 11-14,PIN 6-7 Short)
D.C.R	PIN 16-9 = 995 mohm Max. (PIN 11-14 Short)
	PIN 1-4 = 365 mohm Max. (PIN 2-3 Short)
	PIN 5 -8 = 800 mohm Max. (PIN 6-7 Short)
Hi-POT :	PRI. – SEC. =1875VAC/60Hz/2Seconds/1mA

Dimensions (Units: mm)



Schematic



Mark

- 1.LAL ****----LAL2014
2. X----PRODUCT LINE
3. DATE CODE----YYWW
4. G----RoHS