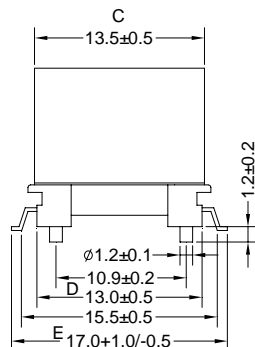
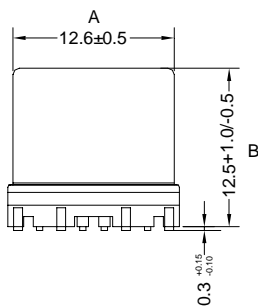
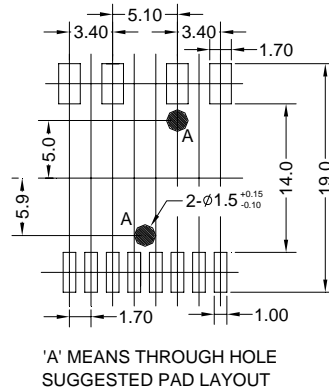
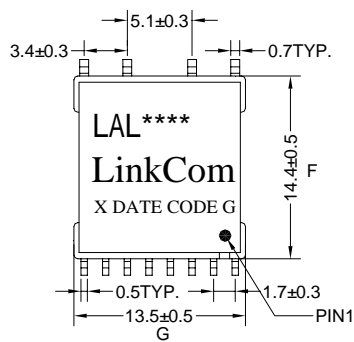


Broadband Access Transformer

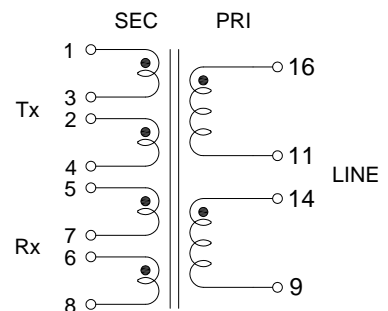
- Designed to meet UL 60950 and EN 60950 requirements for supplementary insulation
- RoHS Compliant
- Operating Temperature -40°C to 85°C

Electrical Specifications @25	
OCL:	PIN 16-9= 400uH ±10% @ 10KHz/0.1V (PIN11-14 Short)
Leakage Inductance:	PIN 16-9= 3.0uH Max. @ 100KHz/0.1V (PIN11-14,PIN1-2-3-4 Short)
	PIN 16-9= 2.0uH Max. @ 100KHz/0.1V (PIN11-14,PIN5-6-7-8 Short)
D.C.R	PIN 1-4 = 0.3 ohm Max. (PIN1-2,PIN3-4 Short)
	PIN 5-8 = 4.4 ohm Max. (PIN6-7 Short)
	PIN 16-9 = 3.0 ohm Max. (PIN11-14 Short)
Turn Ratio:	PIN16-9 : PIN 1-4 = 4.25±3% :1 (PIN11-14,PIN1-2,PIN 3-4 Short)
	PIN16-9 : PIN 5-8 = 1±3% :1 (PIN11-14,PIN6-7 Short)
T.H.D	PIN16-9 - PIN5-8 = -82dB Max. @ 30KHz/3.162V (PIN11-14,PIN6-7 Short)
Hi-POT :	Pri. - Sec. =1875V/60Hz/2Sec/1mA

Dimensions (Units: mm)



Schematic



Mark

- 1.LAL ****----LAL2100
2. X----PRODUCT LINE
3. DATE CODE----YYWW
4. G----RoHS