

## Shorting Cap Backshell



**Shorting Applications** — These caps are used to cover up exposed wires on the back of a shorting connector. Shorting connectors are used to protect critical circuits from static discharge.


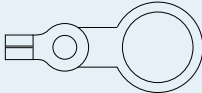
Plugs can also re-route circuits in **Switching** applications. Or, resistors and active electronics can be installed. Whatever the application, a shorting cap is a simple way to cover up the back end of the connector.

### MATERIALS

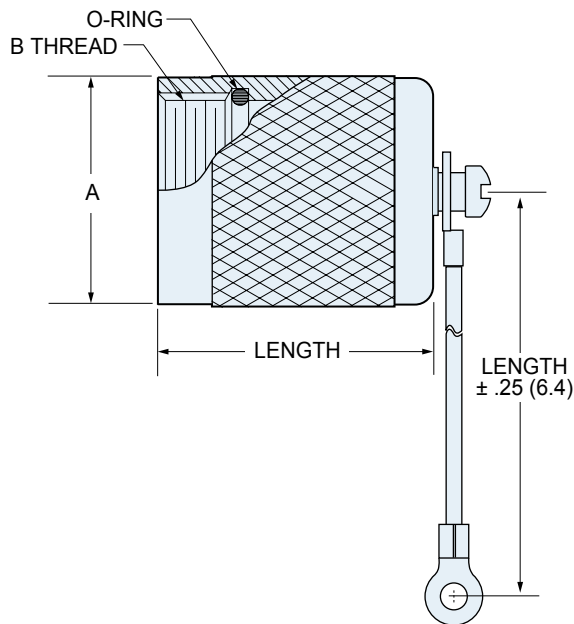
Cap	Aluminum Alloy 6061-T6 or 300 Series Stainless Steel
O-Ring	Silicone Rubber
Hardware	300 Series Stainless Steel

### HOW TO ORDER


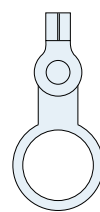

Sample Part Number

Series	Shell Material / Finish	Attachment Type	Size Code	Overall Length	Attachment Code	Attachment Length in Inches
<b>340MS026</b>	<b>M</b>	<b>G</b>	<b>07</b>	<b>-4</b>	<b>02</b>	<b>-6</b>
<b>340MS026</b> Shorting Cap Backshell	<b>C</b> Aluminum / Black Anodize  <b>M</b> Aluminum / Electroless Nickel  <b>NF</b> Aluminum / Cadmium with Olive Drab Chromate  <b>ZN</b> Aluminum / Zinc-Nickel with Olive Drab Chromate  <b>ZNU</b> Aluminum / Zinc-Nickel with Black Chromate  <b>Z1</b> Stainless Steel / Passivated	<b>G</b> Nylon Rope  <b>H</b> SST Wire Rope, Teflon® Jacket  <b>N</b> No Attachment  <b>S</b> SST Sash Chain  <b>SK</b> Nylon Rope With Slip Knot  <b>U</b> SST Wire Rope, Polyurethane Jacket	<b>05</b> – .2500-32 <b>06</b> – .3125-32 <b>11</b> – .3750-32 <b>07</b> – .4375-28 <b>08</b> – .5000-28 <b>09</b> – .5625-24 <b>10</b> – .6250-24 <b>12</b> – .6875-24 <b>13</b> – .7500-20 <b>14</b> – .9375-24	<b>-4</b> – .50 (12.7) <b>-5</b> – .75 (19.1) <b>-6</b> – 1.00 (25.4) <b>-7</b> – 1.25 (31.8) <b>-8</b> – 1.50 (38.1) <b>-9</b> – 1.75 (44.5) <b>-10</b> – 2.00 (50.8) <b>-11</b> – 2.25 (57.2) <b>-12</b> – 2.50 (63.5) <b>-13</b> – 2.75 (69.9) <b>-14</b> – 3.00 (76.2)	Omit for attachment Type N (No Attachment)   Small Ring <b>01</b> – .126 (3.20) I.D. <b>02</b> – .145 (3.68) I.D. <b>04</b> – .188 (4.78) I.D. <b>06</b> – .197 (5.00) I.D.   Large Ring <b>14</b> – .385 (9.78) I.D. <b>15</b> – .445 (11.30) I.D. <b>16</b> – .570 (14.48) I.D. <b>17</b> – .635 (16.13) I.D. <b>18</b> – .695 (17.65) I.D. <b>19</b> – .885 (22.48) I.D. <b>20</b> – 1.070 (27.17) I.D. <b>21</b> – 1.135 (28.83) I.D. <b>22</b> – 1.210 (30.73) I.D.	Omit for attachment Type N (No Attachment)  <b>Example</b> "-6" equals six inch length

## Shorting Cap Backshell



### ATTACHMENT OPTIONS

	Dia. Code	Ring I.D.		Ring O.D.	
		In.	mm.	In.	mm.
 Small Ring for Attaching to a Panel with a Screw	01	.126	3.20	.31	7.9
	02	.145	3.68	.31	7.9
	04	.188	4.78	.31	7.9
	06	.197	5.00	.31	7.9
 Large Solid Ring for Attaching to a Jam Nut Receptacle		Ring I.D.		Ring O.D.	
		In.	mm.	In.	mm.
	14	±.010	±0.25	±.015	±0.38
	15	.385	9.78	.510	12.95
	16	.445	11.30	.565	14.35
	17	.570	14.48	.685	17.40
	18	.635	16.13	.760	19.30
	19	.695	17.65	.820	20.82
	20	.885	22.48	1.010	25.65
	21	1.070	27.17	1.195	30.35
22	1.135	28.83	1.250	31.75	
 Nylon Rope With Slip Knot (SK) for Attaching Covers to Cable		-55° to +100°C., black, very flexible, very good abrasion resistance, good resistance to fuels, .120" (3mm) diameter. Length includes .5" (13mm) diameter loop.			

### DIMENSIONS

Size Code	Ø A Max.		B Threads
	In.	mm.	
05	.350	8.89	.250-32 UNEF-2B
06	.415	10.54	.3125-32 UNEF-2B
11	.465	11.81	.3750-32 UNEF-2B
07	.530	13.46	.4375-28 UNEF-2B
08	.595	14.35	.5000-28 UNEF-2B
09	.650	16.51	.5625-24 UNEF-2B
10	.715	18.16	.6250-24 UNEF-2B
12	.785	19.94	.6875-24 UNEF-2B
13	.830	21.08	.7500-20 UNEF-2B
14	1.020	25.91	.9375-20 UNEF-2B

### LANYARD OPTIONS

 Nylon Rope (G)	-55° to +100°C., black, very flexible, very good abrasion resistance, good resistance to fuels, .120" (3mm) diameter
 Polyurethane Coated Wire Rope (U)	Black polyurethane over stainless steel rope, -55° to +125°C., very flexible, excellent abrasion resistance, excellent resistance to fuels, .080" (2mm) diameter
 Teflon Jacketed Wire Rope (H)	Translucent FEP jacket over stainless steel, -55° to +200°C., fair flexibility, good abrasion resistance, .100" diameter
 Sash Chain (S)	Stainless steel, #8 chain, .240" (6mm)