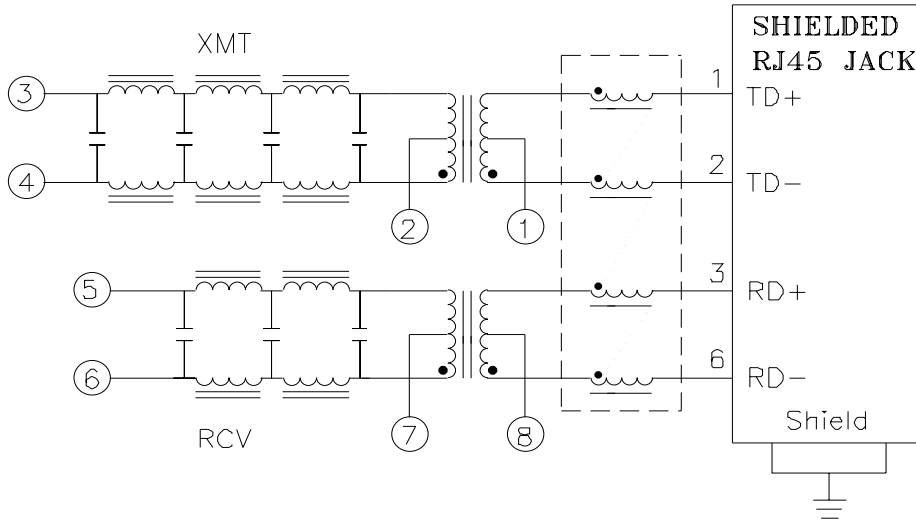


Schematic:



Electrical Specifications: @25°C

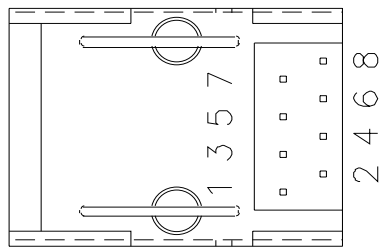
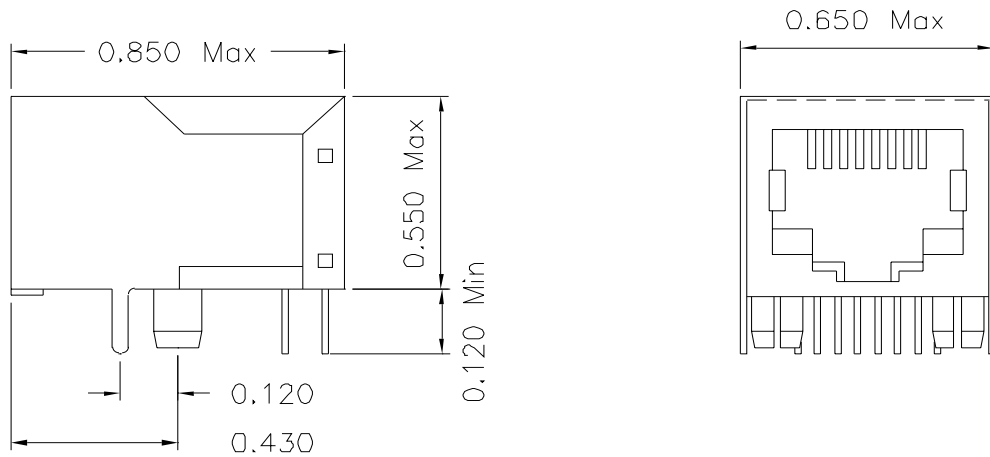
ISOLATION: 1750 VRMS (Input to Output)
 ISOLATION: 500 VRMS (XMT to RCV)
 INSERTION LOSS (1-10MHz): -1.0dB Maximum
 ATTENUATION @30MHz:
 TRANSMIT -30dB Minimum
 RECEIVER -18dB Minimum
 RETURN LOSS (1-10MHz): -15dB Minimum
 CUTOFF FREQUENCY: 17MHz TYPICAL
 CROSSTALK (1-10MHz): -30dB Minimum
 I/O IMPEDANCE: 100 OHMS

DOC REV.: A/1

| | | | |
|---|------------------------------|----------|-----------|
| XFMRs Inc <small>UNLESS OTHERWISE SPECIFIED TOLERANCES: N/A Dimensions in INCH</small> | Title: 10Base-T COMBO | | |
| | P/N: XF10BASEB-COMBO1-2S | | REV. A |
| | DWN. | 廖玉坤 | May-16-00 |
| | CHK. | 李清儿 | May-16-00 |
| SHEET 1 OF 2 | APP. | Joe Huff | May-16-00 |

Mechanical Dimensions:

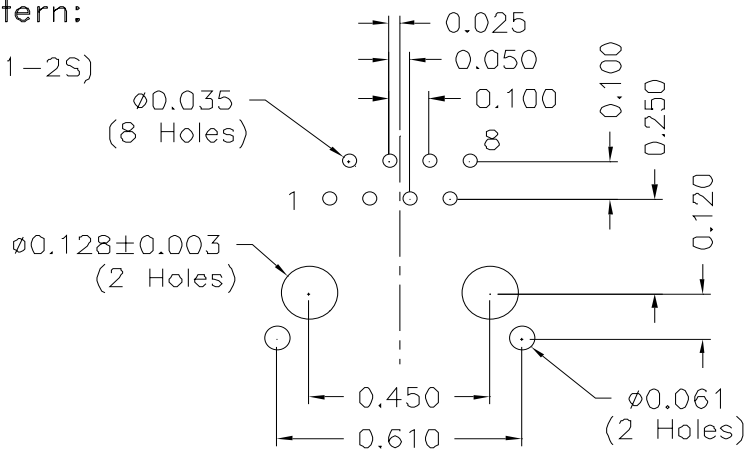
XFMR5
 XF10BASEB-
 COMBO1-2S
 YYWW



(BOTTOM VIEW)

Mounting Pattern:

(FOR COMBO1-2S)
(COMP SIDE)



| | | | | |
|--|--------------------------|----------|--|--|
| UNLESS OTHERWISE SPECIFIED TOLERANCES: .xxx ±0.010 Dimensions in Inch SHEET 2 OF 2 | XFMR5 Inc. | | Title: Mechanical Dimensions For COMBO1-2S Series | |
| | P/N: XF10BASEB-COMBO1-2S | | REV.A | |
| | DWN. | 廖玉坤 | May-16-00 | |
| | CHK. | 李清儿 | May-16-00 | |
| APP. | | Joe Huff | May-16-00 | |

DOC. REV.A/1