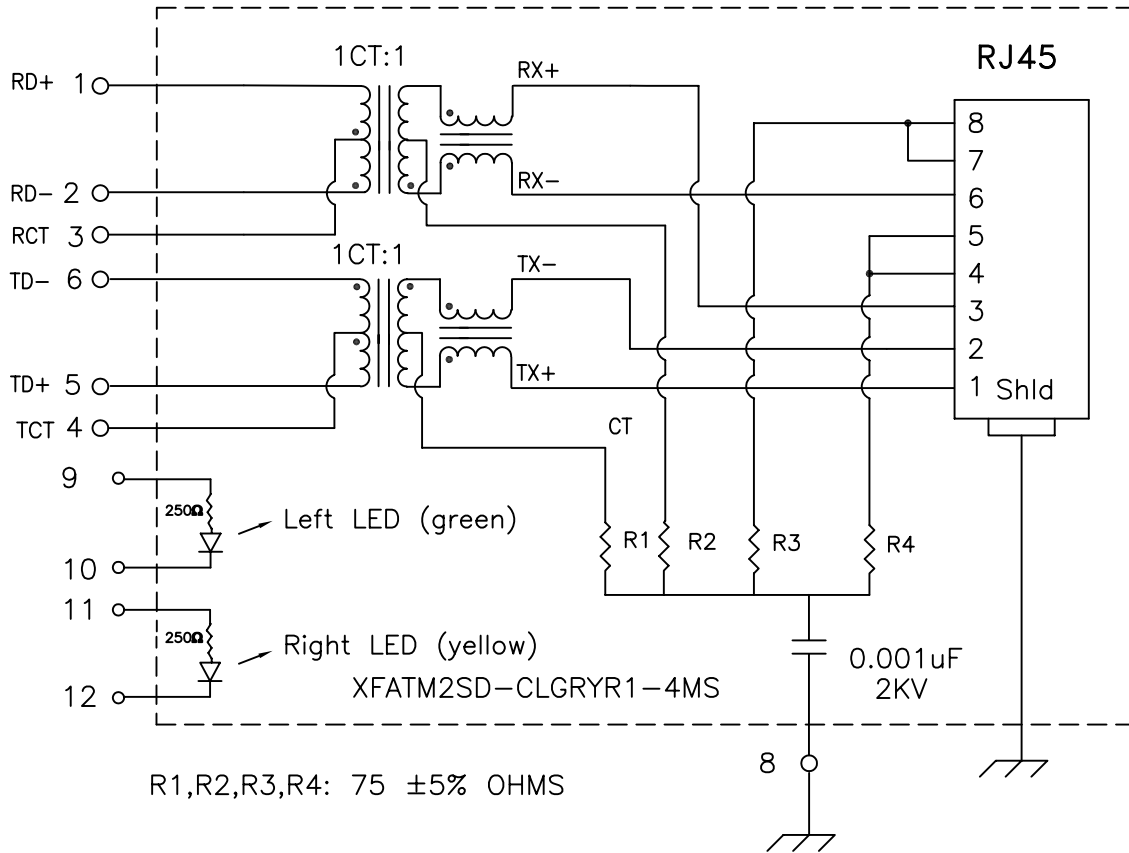


# Schematic:



R1,R2,R3,R4: 75 ±5% OHMS

## Electrical Specifications: @25°C

Isolation Voltage: 1500 Vrms (INPUT to OUTPUT)

UTP SIDE OCL: 350uH Min @100KHz 100mV 8mADC

Rise Time (10-90%): 2.5ns Typical

Insertion Loss (100KHz-999KHz): -1.0dB Maximum

(1.0MHz-15.0MHz): -0.3dB Maximum

(15.1MHz-60.0MHz): -0.6dB Maximum

(60.1MHz-100MHz): -1.1dB Maximum

Return Loss: (100KHz-60.0MHz): -18dB Minimum

(60.1MHz-80MHz): -15dB Minimum

(80.1MHz-100MHz): -12dB Minimum

Crosstalk: (100KHz-60MHz): -43dB Minimum

(60.1MHz-100MHz): -38dB Minimum

Common Mode to Differential Mode Rejection:

100KHz-60MHz -46dB Min (Tx) / -35dB Min (Rx)

60MHz-100MHz -42dB Min (Tx) / -33dB Min (Rx)

### Notes:

1. Solderability: Leads shall meet MIL-STD-202, Method 208D for solderability.
2. Flammability: UL94V-0
3. ASTM oxygen index: > 28%
4. Insulation System: Class F 155°C. UL file E151556
5. Operating Temperature Range: -40°C to +85°C

DOC. REV: A/1

**XFMRs Inc.**

Title:

**SINGLE PORT COMBO**

UNLESS OTHERWISE SPECIFIED

P/N: XFATM2SD-CLGRYR1-4MS

REV. A

TOLERANCES:

DWN.

李小锋

Feb-5-04

.xxx ±0.010

CHK.

廖玉坤

Feb-5-04

Dimensions in Inch

APP.

BW

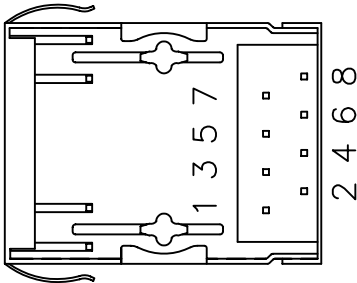
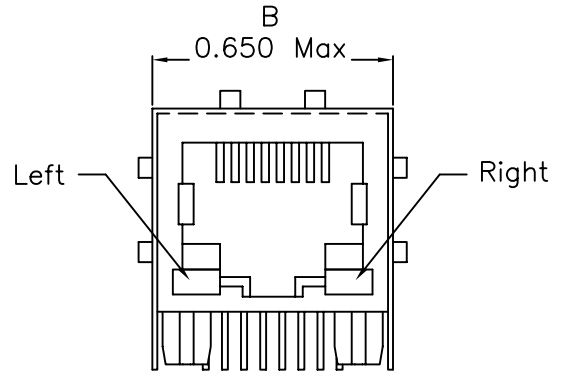
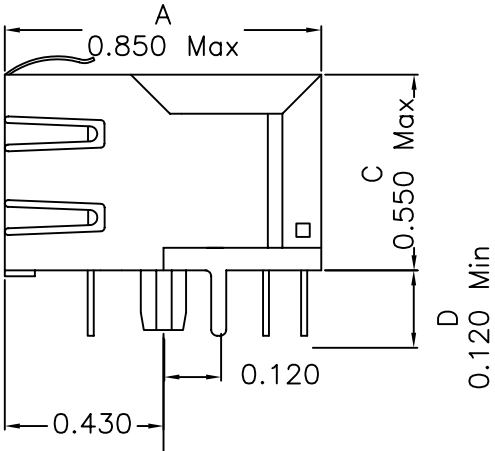
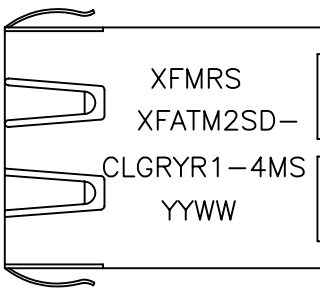
Feb-5-04

SHEET 1 OF 2

**PROPRIETARY**

Document is the property of XFMRs Group & is not allowed to be duplicated without authorization.

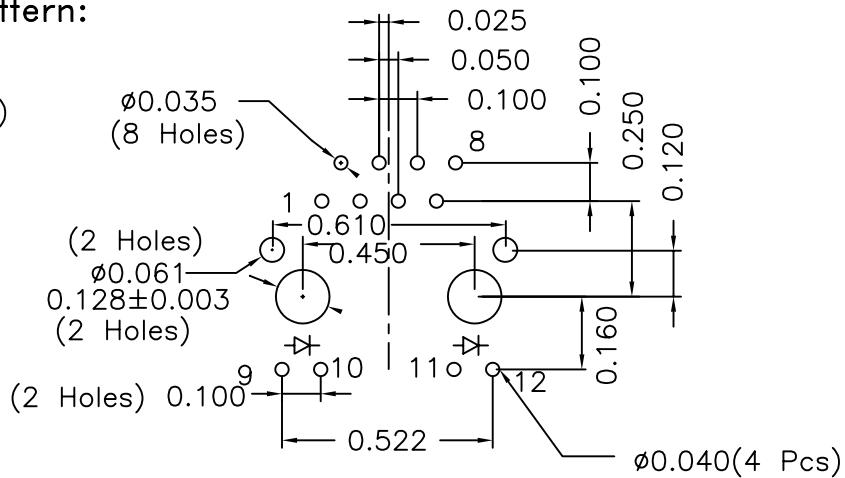
**Mechanical Dimensions:**



(BOTTOM VIEW)

**Mounting Pattern:**

(COMP SIDE)



DOC. REV: A/1

**PROPRIETARY**

Document is the property of XFMRS Group & is not allowed to be duplicated without authorization.

**XFMRS Inc.**

Title: Mechanical Dimensions  
For CLxu1-4MS Series

UNLESS OTHERWISE SPECIFIED  
TOLERANCES:  
.xxx ±0.010  
Dimensions in Inch

P/N: XFATM2SD-CLGRYR1-4MS

REV. A

DWN.

李小锋

Feb-5-04

CHK.

廖玉坤

Feb-5-04

SHEET 2 OF 2

APP.

BW

Feb-5-04