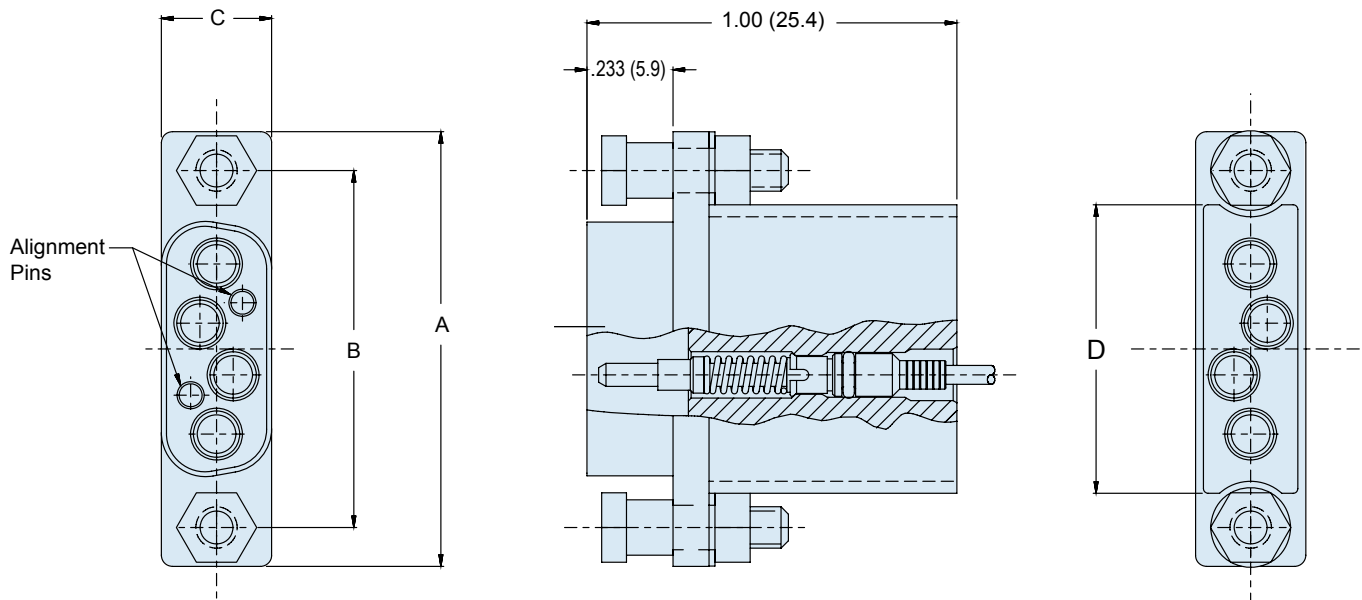


| TABLE II: FINISH | | |
|------------------|-----------------|---|
| SYM | MATERIAL | FINISH |
| C | Aluminum | Black Anodize |
| M | Aluminum | Electroless Nickel (Coupling Nut Electrodeposited) |
| NF | Aluminum | Cadmium, Olive Drab over Electroless Nickel |
| ZN | Aluminum | Zinc-Nickel, Olive Drab over Electroless Nickel |
| Z1 | Stainless Steel | Passivate |



| TABLE I: SHELL SIZE | | | | | |
|---------------------|------------------|------------------|------------------|------------------|--------------|
| Shell Size | A ±.010 (0.3) | B ±.003 (0.1) | C ±.010 (0.3) | D ±.010 (0.3) | Max F.O. Pin |
| 9 | .775 (19.7) | .565 (14.4) | .298 (7.6) | .380 (9.7) | 1 |
| 15 | .925 (23.5) | .715 (18.2) | .298 (7.6) | .530 (13.5) | 2 |
| 21 | 1.075 (27.3) | .865 (22.0) | .298 (7.6) | .680 (17.3) | 3 |
| 25 | 1.175 (29.8) | .965 (24.5) | .298 (7.6) | .780 (19.8) | 4 |
| 31 | 1.325 (33.7) | 1.115 (28.3) | .298 (7.6) | .930 (23.6) | 5 |
| 100 | 2.160 (54.9) | 1.800 (45.7) | .384 (9.8) | 1.425 (36.2) | 8 |

| APPLICATION NOTES |
|--|
| 1. Assembly packaged in plastic bag and tag identified with manufacturer's name and part number. |
| 2. Material/Finish: Shell: Aluminum Alloy (See Table II). |
| 3. Fiber Optic Terminus to be ordered separately. See Glenair drawing 181-012-XXX. |
| 4. Backshell to be ordered separately (Consult factory). |
| 5. This Receptacle is designed to be used with Glenair P/N 180-064 Plug (See Page H-7). |
| 6. Metric dimensions (mm) are in parentheses. |