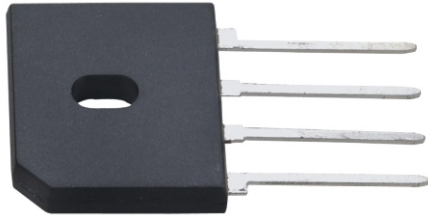


GBU 10A/15A/25A/35A SERIES

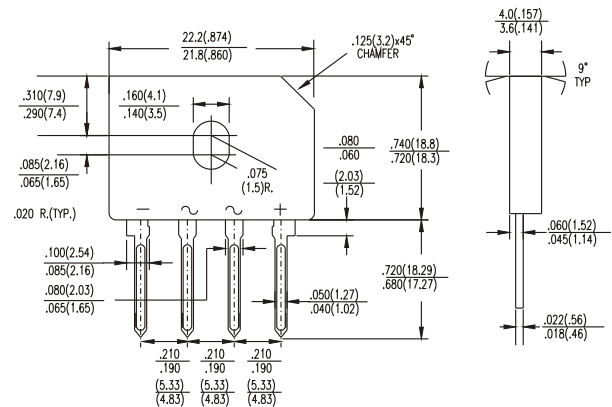
SILICON BRIDGE RECTIFIERS
GLASS PASSIVATED
BRIDGE RECTIFIERS



FEATURES

- Surge overload rating-175 amperes peak
- Ideal for printed circuit board
- Reliable low cost construction utilizing molded plastic technique
- Plastic material has Underwriters Laboratory Flammability classification 94V-O
- Mounting Position: Any

REVERSE VOLTAGE -50 to 1000 Volts
FORWARD CURRENT -8.0 Amperes



Dimensions in inches and (millimeters)

MAXIMUM RATINGS AND ELECTRICAL CHARACTERISTICS

Ratings at 25°C ambient temperature unless otherwise specified.
Single phase, half wave, 60Hz, resistive or inductive load.
For capacitive load, derate current by 20%.

| CHARACTERISTICS | SYMBOL | GBU | GBU | GBU | GBU | GBU | GBU | GBU | UNITS |
|--|-----------------|--------------------------|------|------|------|------|------|------|----------------------|
| | | 10005 | 1001 | 1002 | 1004 | 1006 | 1008 | 1010 | |
| | | 15005 | 1501 | 1502 | 1504 | 1506 | 1508 | 1510 | |
| | | 25005 | 2501 | 2502 | 2504 | 2506 | 2508 | 2510 | |
| | | 35005 | 3501 | 3502 | 3504 | 3506 | 3508 | 3510 | |
| Maximum Recurrent Peak Reverse Voltage | V_{RRM} | 50 | 100 | 200 | 400 | 600 | 800 | 1000 | V |
| Maximum RMS Voltage | V_{RMS} | 35 | 70 | 140 | 280 | 420 | 560 | 700 | V |
| Maximum DC Blocking Voltage | V_{DC} | 50 | 100 | 200 | 400 | 600 | 800 | 1000 | V |
| Maximum Average Forward (with heatsink Note 2) Rectified Current @ $T_C=100^\circ\text{C}$ (without heatsink) | $I_{(AV)}$ | 10/15/25/35 3.6 | | | | | | | A |
| Peak Forward Surge Current 8.3 ms single half sine-wave super imposed on rated load (JEDEC Method) | I_{FSM} | 240 240 350 400 | | | | | | | A |
| Maximum Forward Voltage at 5.0/7.5/12.5/17.5A DC | V_F | 1.0 | | | | | | | V |
| Maximum DC Reverse Current @ $T_J=25^\circ\text{C}$ at Rated DC Blocking Voltage @ $T_J=125^\circ\text{C}$ | I_R | 5.0 500 | | | | | | | μA |
| $I^2 t$ Rating for fusing ($t < 8.3\text{ms}$) | $I^2 t$ | 200 | | | | | | | A^2S |
| Typical Junction Capacitance per element (Note 1) | C_J | 70 | | | | | | | pF |
| Typical Thermal Resistance (Note 2) | $R_{\theta JC}$ | 2.2 | | | | | | | $^\circ\text{C/W}$ |
| Operating Temperature Range | T_J | -40 to +125 | | | | | | | $^\circ\text{C}$ |
| Storage Temperature Range | T_{STG} | -40 to +125 | | | | | | | $^\circ\text{C}$ |

NOTES: 1. Measured at 1.0MHz and applied reverse voltage of 4.0V DC.
2. Device mounted on 100mm x 100mm X 1.6mm Cu Plate Heatsink.

GBU 10A/15A/25A/35A SERIES

SILICON BRIDGE RECTIFIERS
GLASS PASSIVATED
BRIDGE RECTIFIERS



RATING AND CHARACTERISTICS CURVES GBU 10A/15A/25A/35A SERIES

FIG. 1 - MAXIMUM FORWARD SURGE CURRENT

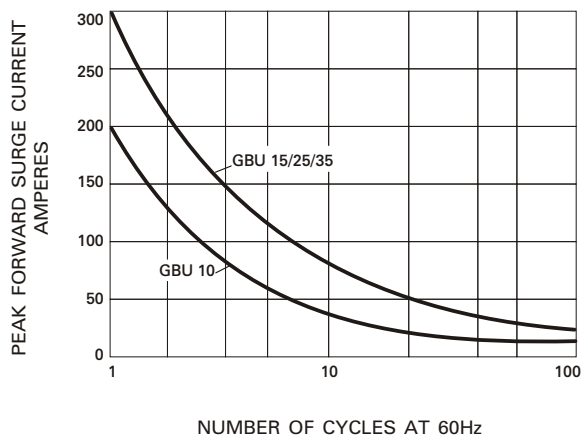


FIG. 2 - DERATING CURVE
OUTPUT RECTIFIED CURRENT

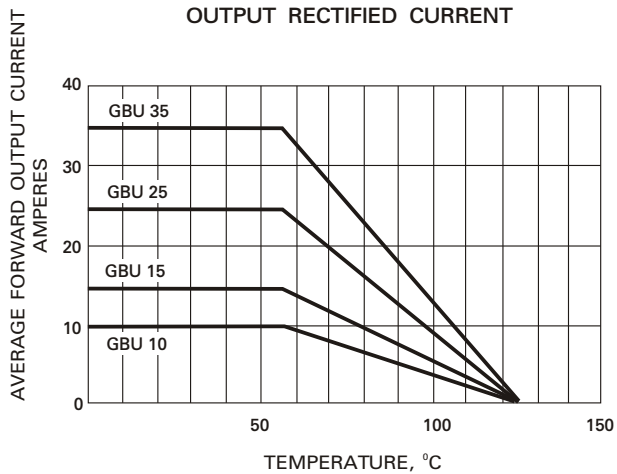


FIG. 3 - TYPICAL FORWARD
CHARACTERISTICS

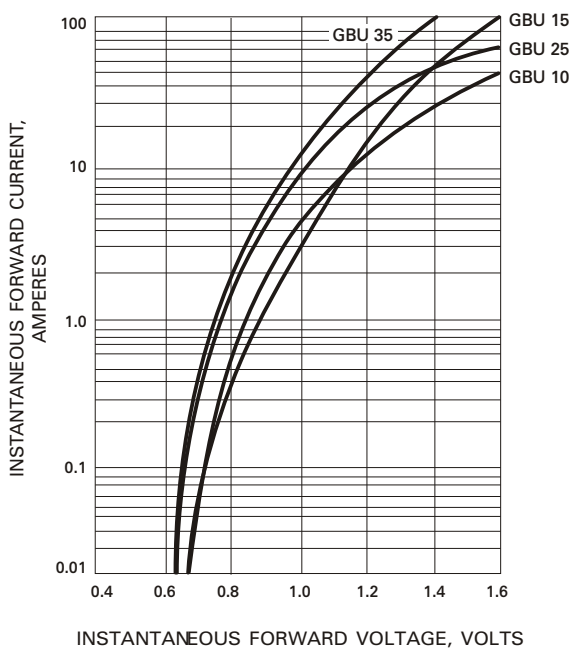


FIG. 4- TYPICAL REVERSE
CHARACTERISTICS

