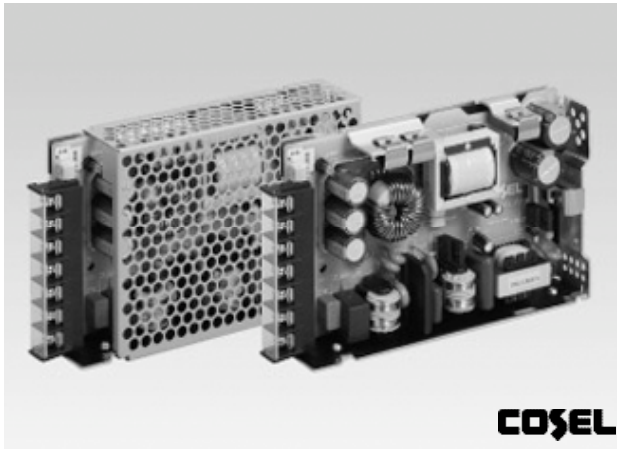


AC-DC Chassis Mount

50-150 Watts PBA Series

THE XPERTS IN POWER



- Universal PFC Input
- Convection Cooled
- Low Profile <1U
- Adjustable Output Voltage
- Optional Remote On/Off
- Optional Din Rail Mount
- High Efficiency

Specification

Input

- Input Voltage**
 - 85-264 VAC (120-370 VDC)
 - 50 VAC (70 VDC) (Optional, contact sales)
- Input Frequency**
 - 47-63 Hz
- Input Current**
 - 2/1 A max at 115/230 VAC
- Inrush Current**
 - 20/40 A max at 115/230 VAC
- Power Factor**
 - EN61000-3-2 compliant
- Leakage Current**
 - 0.75 mA max, optional 0.15 mA - add suffix "-G" to model numbers

Output

- Output Voltage**
 - 3.3 VDC to 48 VDC
- Output Voltage Adjustment**
 - +10/-15%
- Output Voltage Set Point**
 - $\pm 3\%$ V_{nom}
- Minimum Load**
 - No minimum load required
- Start-Up Time**
 - 350 ms typical
- Drift**
 - $\pm 0.6\%$ max
- Line Regulation**
 - $\pm 1\%$ max
- Load Regulation**
 - $\pm 2\%$ max
- Hold-up Time**
 - 15 ms typical
- Output Ripple & Noise**
 - 1% of V_n pk-pk
- Overvoltage Protection**
 - operates at 120-140% of V_{nom}
- Overload Protection**
 - Operates at 105% of rated current, autorecovery
- Remote ON/OFF**
 - Optional. Add suffix "-R" to model number

General

- Efficiency**
 - 85% typical
- Isolation**
 - 3000 VAC Input to Output
 - 2000 VAC Input to Ground
 - 500 VAC Output to Ground
- Switching Frequency**
 - 60-550 kHz PFC, 130kHz PWM
- Indications**
 - Green LED for unit operating

Environmental

- Operating Temperature**
 - -10 °C to +70 °C, see derating curve
- Storage Temperature**
 - -20 °C to +75 °C
- Relative Humidity**
 - 20-90% non-condensing
- Shock**
 - 20 G 11 ms, once each x, y and z axis
- Vibration**
 - 2 G 10-55Hz for 3 min periods for 60 min along each x, y and z axis

EMC & Safety

- Emissions**
 - EN55022 Level B conducted
 - EN55022 Level B radiated
- ESD Susceptibility**
 - EN61000-4-2 Level 4
- Radiated Susceptibility**
 - EN61000-4-3 Level 3
- EFT/Burst**
 - EN61000-4-4 Level 4
- Surge**
 - EN61000-4-5 Level 3 line to line
 - EN61000-4-5 Level 4 line to earth
- Voltage dips and interruptions**
 - EN61000-4-11
- Safety Approvals**
 - UL60950, CSA 60950
 - EN60950, EN50178

OUTPUT VOLTAGE & CURRENT RATINGS

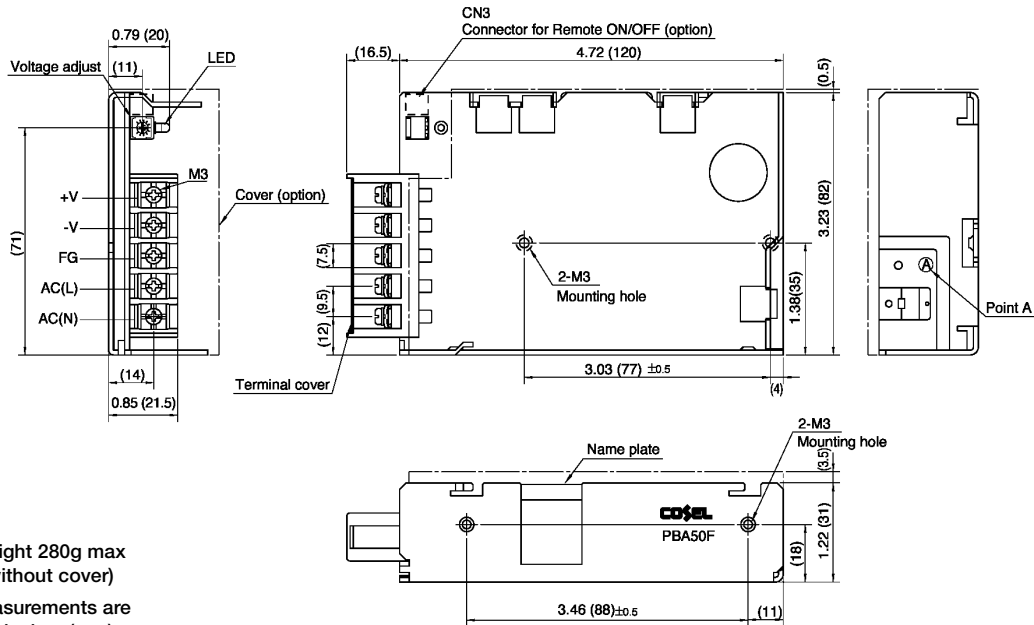
PBA50F

Output Voltage	Output Current	Regulation		Rippled Noise ⁽¹⁾	Efficiency ⁽²⁾	Model
		Line	Load			
3.3 V (2.85-3.63)	10 A	±20 mV	±40 mV	120 mV	76%	PBA50F-3
5.0 V (4.00-5.50)	10 A	±20 mV	±40 mV	120 mV	82%	PBA50F-5
9.0 V (7.50-10.00)	5.6 A	±36 mV	±100 mV	150 mV	81%	PBA50F-9
12.0 V (10.0-13.2)	4.3 A	±48 mV	±100 mV	150 mV	82%	PBA50F-12
15.0 V (13.2-18.0)	3.5 A	±60 mV	±120 mV	150 mV	83%	PBA50F-15
24.0 V (19.2-27.0)	2.2 A	±96 mV	±150 mV	150 mV	84%	PBA50F-24
36.0 V (28.8-39.6)	1.4 A	±144 mV	±240 mV	250 mV	85%	PBA50F-36
48.0 V (39.0-53.0)	1.1 A	±192 mV	±240 mV	250 mV	85%	PBA50F-48

Notes

1. Measured over a 20 MHz bandwidth and from 0 °C to +50 °C.
2. Measured at 230 VAC and 100% load.

Mechanical Details



Weight 280g max
(without cover)
Measurements are
in inches (mm)

Options available:

- Conformal coating: add suffix "-C"
- Low leakage current: add suffix "-G" (0.15 mA max)
add suffix "-E" (0.5 mA max)
- Vertical screw terminal blocks: add suffix "-T"
- Cover Fitted: add suffix "-N"
- Remote ON/OFF: add suffix "-R"
- DIN rail mount: add suffix "-N1"
- Remote output voltage adjustment potentiometer: add suffix "-V"

OUTPUT VOLTAGE & CURRENT RATINGS

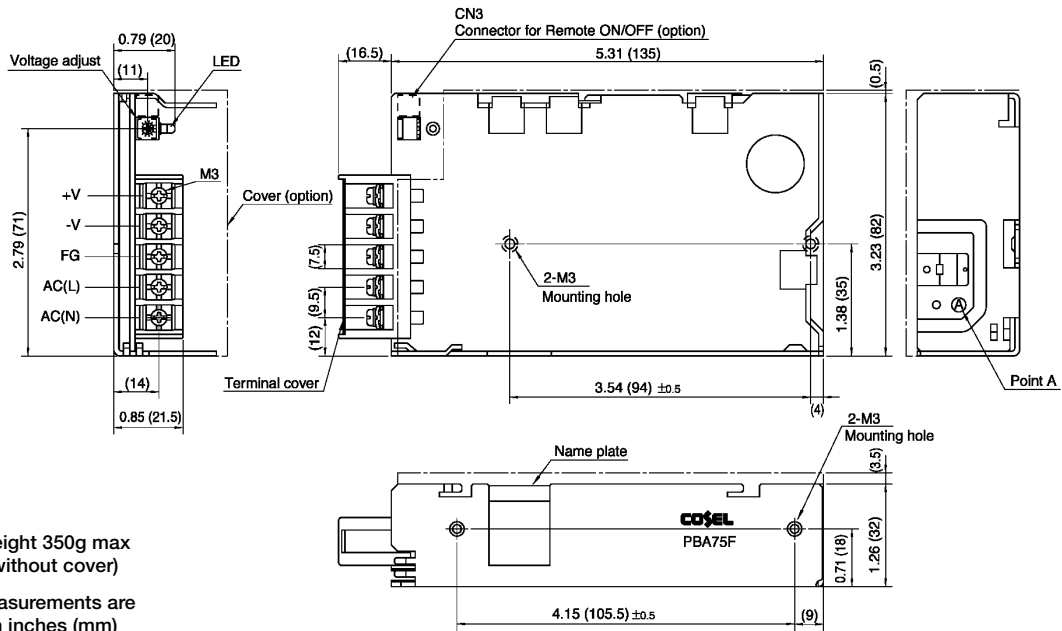
PBA75F

Output Voltage	Output Current	Regulation		Rippled Noise ⁽¹⁾	Efficiency ⁽²⁾	Model
		Line	Load			
3.3 V (2.85-3.63)	15 A	±20 mV	±40 mV	120 mV	78%	PBA75F-3
5.0 V (4.00-5.50)	15 A	±20 mV	±40 mV	120 mV	83%	PBA75F-5
9.0 V (7.50-10.00)	8.4 A	±36 mV	±100 mV	150 mV	82%	PBA75F-9
12.0 V (10.0-13.2)	6.3 A	±48 mV	±100 mV	150 mV	83%	PBA75F-12
15.0 V (13.2-18.0)	5 A	±60 mV	±120 mV	150 mV	84%	PBA75F-15
24.0 V (19.2-27.0)	3.2 A	±96 mV	±150 mV	150 mV	85%	PBA75F-24
36.0 V (28.8-39.6)	2.1 A	±144 mV	±240 mV	250 mV	86%	PBA75F-36
48.0 V (39.0-53.0)	1.6 A	±192 mV	±240 mV	250 mV	86%	PBA75F-48

Notes

1. Measured over a 20 MHz bandwidth and from 0 °C to +50 °C.
2. Measured at 230 VAC and 100% load.

Mechanical Details



Weight 350g max
(without cover)

Measurements are
in inches (mm)

Options available:

- Conformal coating: add suffix "-C"
- Low leakage current: add suffix "-G" (0.15 mA max)
add suffix "-E" (0.5 mA max)
- Vertical screw terminal blocks: add suffix "-T"
- Cover Fitted: add suffix "-N"
- Remote ON/OFF: add suffix "-R"
- DIN rail mount: add suffix "-N1"
- Remote output voltage adjustment potentiometer: add suffix "-V"

OUTPUT VOLTAGE & CURRENT RATINGS

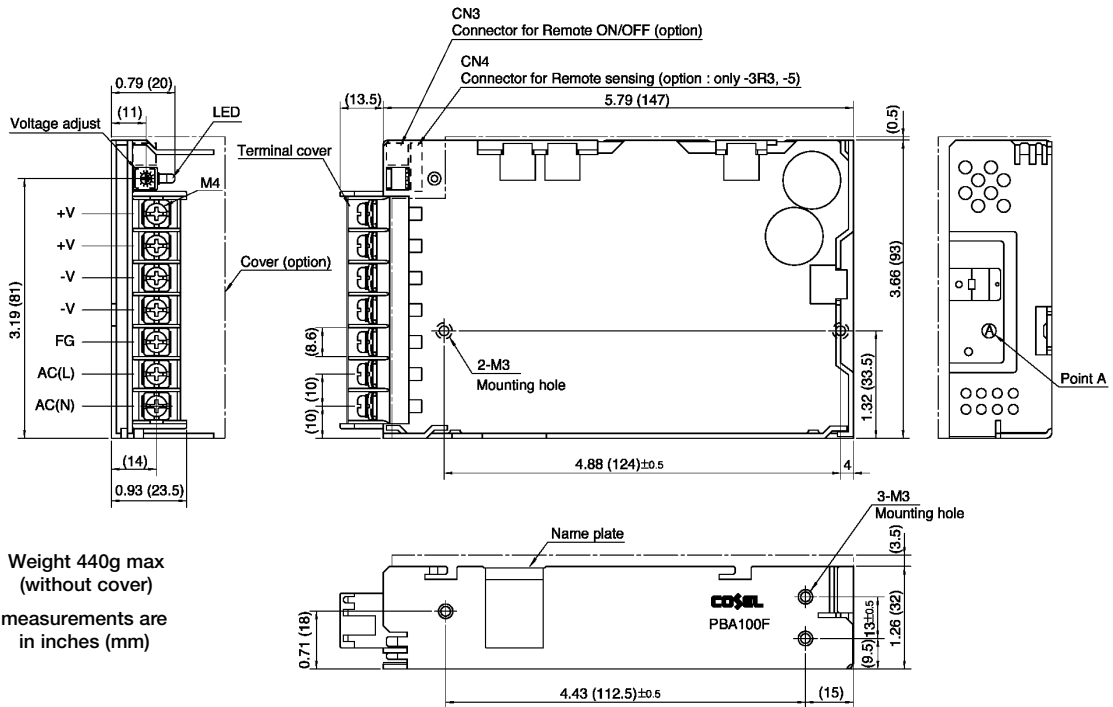
PBA100F

Output Voltage	Output Current	Regulation		Rippled Noise ⁽¹⁾	Efficiency ⁽²⁾	Model
		Line	Load			
3.3 V (2.85-3.63)	20 A	±20 mV	±40 mV	120 mV	79%	PBA100F-3
5.0 V (4.00-5.50)	20 A	±20 mV	±40 mV	120 mV	84%	PBA100F-5
9.0 V (7.50-10.00)	10.5 A	±36 mV	±100 mV	150 mV	82%	PBA100F-9
12.0 V (10.0-13.2)	8.5 A	±48 mV	±100 mV	150 mV	83%	PBA100F-12
15.0 V (13.2-18.0)	7 A	±60 mV	±120 mV	150 mV	86%	PBA100F-15
24.0 V (19.2-27.0)	4.5 A	±96 mV	±150 mV	150 mV	86%	PBA100F-24
36.0 V (28.8-39.6)	2.8 A	±144 mV	±240 mV	250 mV	86%	PBA100F-36
48.0 V (39.0-53.0)	2.1 A	±192 mV	±240 mV	250 mV	86%	PBA100F-48

Notes

1. Measured over a 20 MHz bandwidth and from 0 °C to +50 °C.
2. Measured at 230 VAC and 100% load.

Mechanical Details



Weight 440g max (without cover)
measurements are in inches (mm)

Options available:

- Conformal coating: add suffix "-C"
- Low leakage current: add suffix "-G" (0.15 mA max)
add suffix "-E" (0.5 mA max)
- Vertical screw terminal blocks: add suffix "-T"
- Cover Fitted: add suffix "-N"
- Remote ON/OFF: add suffix "-R"
- DIN rail mount: add suffix "-N1"
- Remote output voltage adjustment potentiometer: add suffix "-V"

OUTPUT VOLTAGE & CURRENT RATINGS

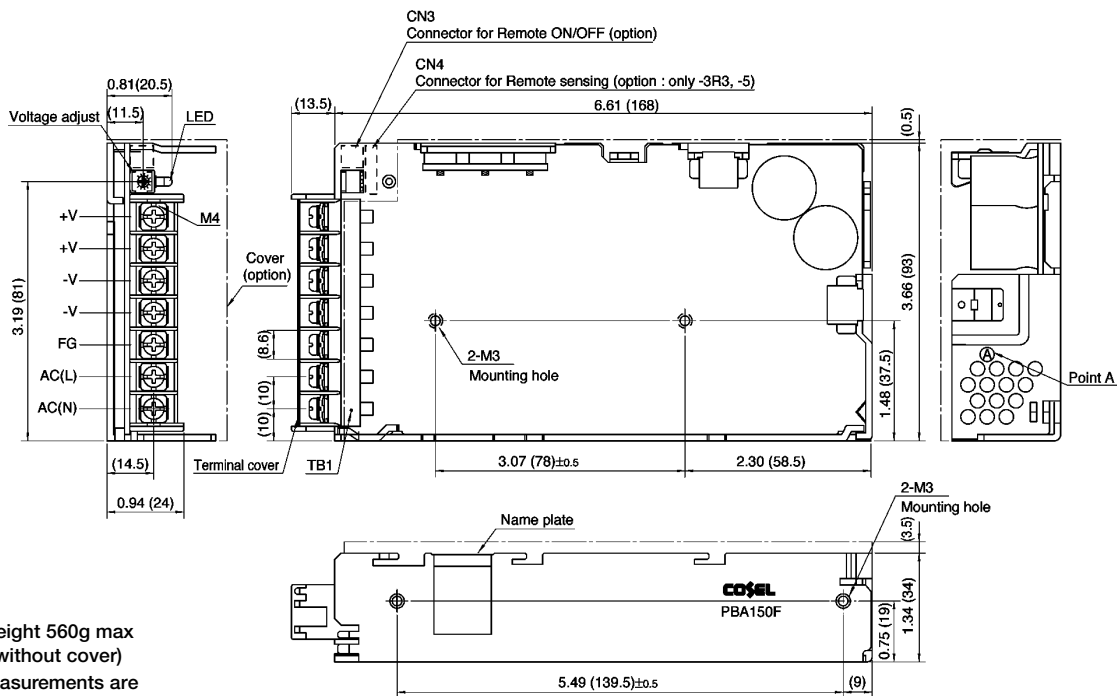
PBA150F

Output Voltage	Output Current	Regulation		Rippled Noise ⁽¹⁾	Efficiency ⁽²⁾	Model
		Line	Load			
3.3 V (2.85-3.63)	30 A	±20 mV	±40 mV	120 mV	82%	PBA150F-3
5.0 V (4.00-5.50)	30 A	±20 mV	±40 mV	120 mV	86%	PBA150F-5
9.0 V (7.50-10.00)	16.7 A	±36 mV	±100 mV	150 mV	85%	PBA150F-9
12.0 V (10.0-13.2)	13 A	±48 mV	±100 mV	150 mV	86%	PBA150F-12
15.0 V (13.2-18.0)	10 A	±60 mV	±120 mV	150 mV	87%	PBA150F-15
24.0 V (19.2-27.0)	6.5 A	±96 mV	±150 mV	150 mV	88%	PBA150F-24
36.0 V (28.8-39.6)	4.3 A	±144 mV	±240 mV	250 mV	88%	PBA150F-36
48.0 V (39.0-53.0)	3.3 A	±192 mV	±240 mV	250 mV	88%	PBA150F-48

Notes

1. Measured over a 20 MHz bandwidth and from 0 °C to +50 °C.
2. Measured at 230 VAC and 100% load.

Mechanical Details



Weight 560g max
(without cover)
measurements are
in inches (mm)

Options available:

- Conformal coating: add suffix "-C"
- Low leakage current: add suffix "-G" (0.15 mA max)
add suffix "-E" (0.5 mA max)
- Vertical screw terminal blocks: add suffix "-T"
- Cover Fitted: add suffix "-N"
- Remote ON/OFF: add suffix "-R"
- DIN rail mount: add suffix "-N1"
- Remote output voltage adjustment potentiometer: add suffix "-V"