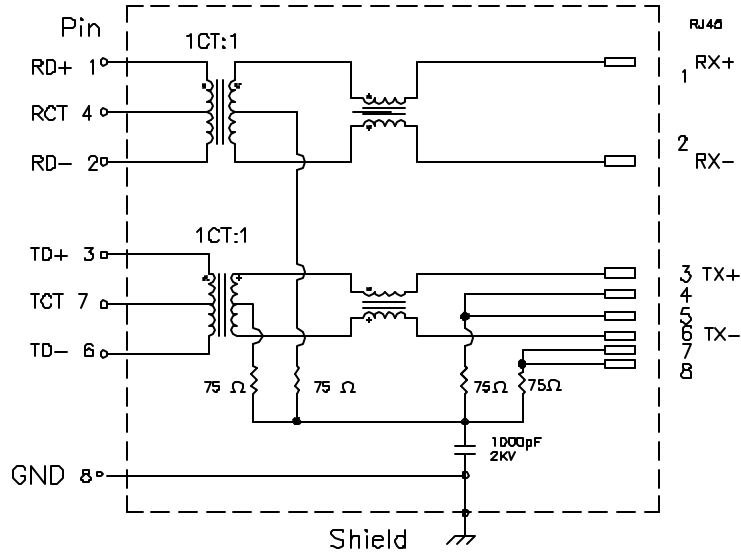


Schematic:



Electrical Specifications: 25°C

URNS RATIO: TX 1CT:1±3%, RX 1CT:1±3%

Isolation Voltage: 1500 Vrms (INPUT to OUTPUT)

UTP SIDE OCL: 350μH Min @100KHz 100mV 8mADC

Insertion Loss (1MHz–100MHz): -1.1dB Max

Return Loss: -18dB Min. @1MHz–30MHz

18–20 log(f/30MHz) Min @30MHz–60MHz

-12dB Min. @60MHz–80MHz

Crosstalk 100KHz–100MHz : -35.0dB Min

Common to Differential Mode Rejection @100KHz–100MHz: -40dB Min

Common to Common Mode Rejection @100KHz–100MHz: -30dB Min

Note:

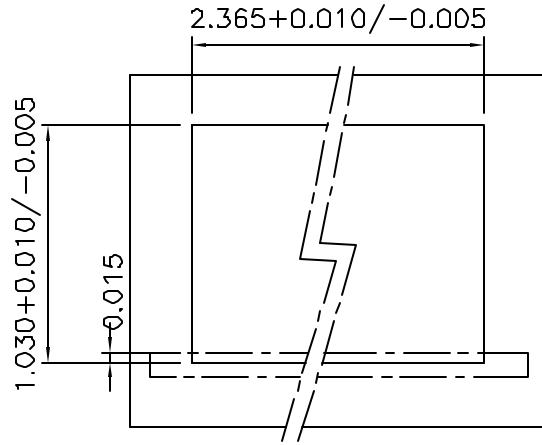
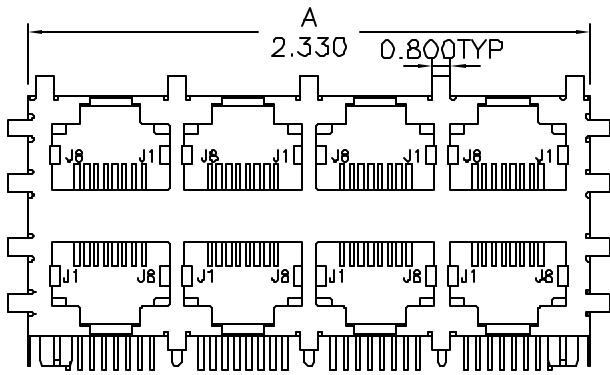
1. Solderability: Leads shall meet MIL-STD-202, Method 208D for solderability.
2. Flammability: UL94V-0,
3. ASTM oxygen index: > 28% ,
4. Temperature rating: 155°C. UL file E151556,
5. Operating Temperature Range: 0°C to +70°C

PRELIMINARY

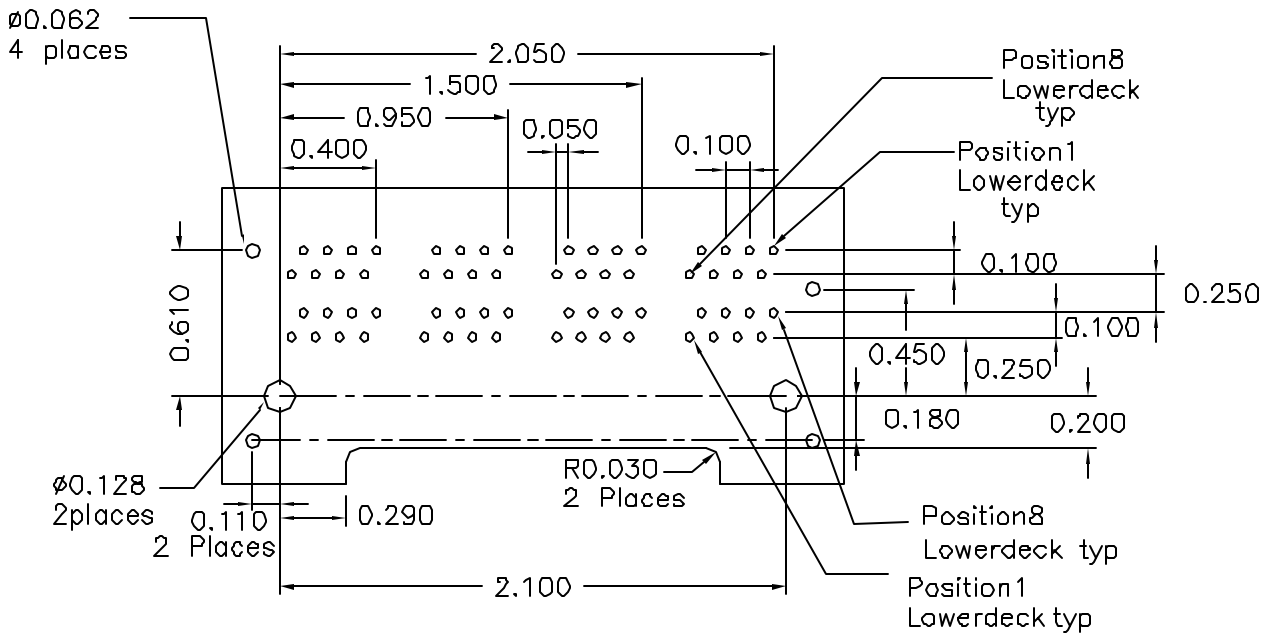
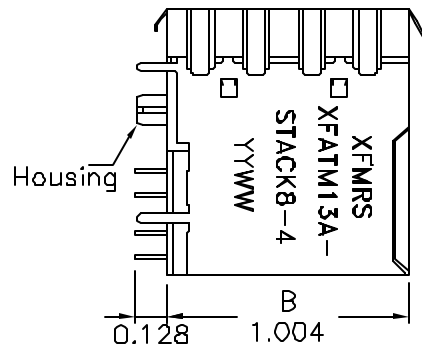
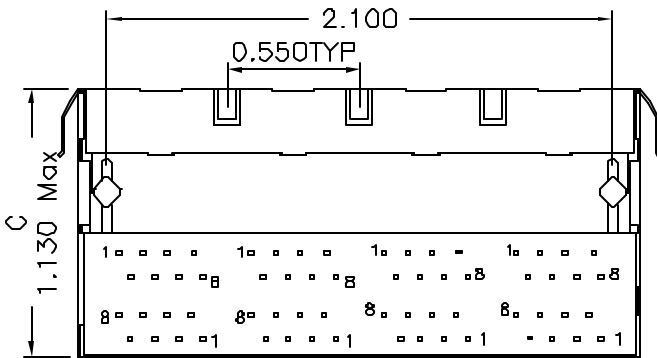
DOC. REV. A/1

| | | | |
|----------------------------|------------------------------------|------------------------|-----------|
| XFMRS Inc. | Title: 2x4 STACKED COMBO SERIES | | |
| | UNLESS OTHERWISE SPECIFIED | P/N: XFATM13A-STACK8-4 | REV. A |
| TOLERANCES: .xxx ±0.010 | DWN. | 罗振江 | May-19-03 |
| Dimensions in Inch | CHK. | 康玉坤 | May-19-03 |
| SHEET 1 OF 3 | APP. | BW | May-19-03 |

Mechanical Dimensions:



SUGGESTED PANEL CUTOUT DIMENSIONS



SUGGESTED MOUNTING PATTERN (COMPONENT SIDE)

PRELIMINARY

DOC. REV. A/1

XFMR5 Inc.

UNLESS OTHERWISE SPECIFIED
TOLERANCES:
.xxx ±0.010
Dimensions in Inch
SHEET 2 OF 2

Title: Mechanical Dimensions
For 2x4 STACKED COMBO Series

| | |
|-----------------------|-----------|
| P/N:XFATM13A-STACK8-4 | REV. A |
| DWN. 罗振江 | May-19-03 |
| CHK. 廖玉坤 | May-19-03 |
| APP. BW | May-19-03 |