

Adam Technologies, Inc.

INTRODUCTION:

Adam Tech MTP series Modular Telephone Plugs are manufactured to terminate flat oval or round telephone cord to REA and Cat. 5 EIA/TIA specifications. Our double strain relief design, molded in polycarbonate, is manufactured with contacts pre-loaded in a variety of sizes and options including shielding and specific contacts for flat or round cable. Adam Tech is a major supplier of telephone line cords to the telecommunications industry.

FEATURES:

- Preassembled Contacts
- REA Compliant Terminations
- Cat. 5 and 5E available
- Contacts for Flat or Round wire
- Short or Long body choices
- Shielded versions

MATING TELEPHONE JACKS:

Adam Tech modular telephone jack series and all industry standard telephone Jacks.

SPECIFICATIONS:

Material:

Insulator: Polycarbonate, rated UL94V-0
Insulator Color: Clear, (Blue optional)
Contacts: Phosphor Bronze

Contact Plating:

Gold Flash (optional 15 or 30 μ in) over nickel underplate.

Electrical:

Operating voltage: 150V AC max.
Current rating: 1.5 Amps max.
Contact resistance: 20 m Ω max. initial
Insulation resistance: 500 M Ω min.
Dielectric withstanding voltage: 1000V AC for 1 minute

Mechanical:

Cable to plug tensile strength: 7.71 Kgs (17 lbs) min.
Durability: 250 Cycles min.
Wire range: 26 to 28 Awg

Temperature Rating:

Operating temperature: -40°C to +70°C

PACKAGING:

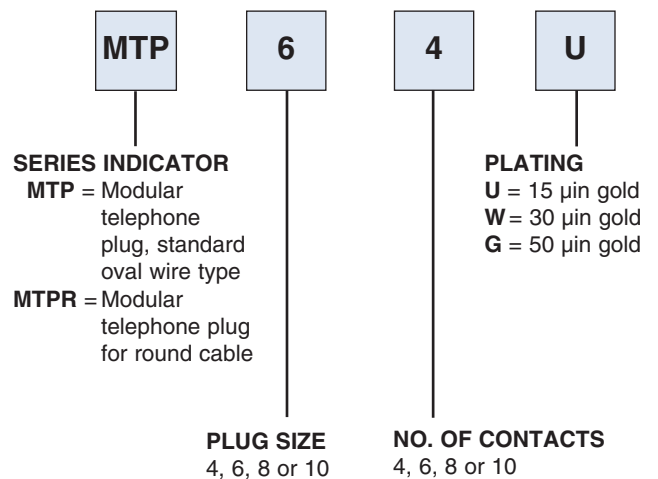
Anti-ESD plastic bags

SAFETY AGENCY APPROVALS:

UL Recognized File No. E224049



ORDERING INFORMATION



OPTIONS:

Add designator(s) to end of part number

K = Molded in key (Plug size 8 & 10 only)

S = Solid wire contacts

EMI = Metal shielded type (Plug size 8 or 10 only)

OL = Offset Latch (Plug size 6 only)

BU = Clear Blue insulator color

Contact Options



Standard Stranded Wire Contact



Optional Solid Wire Contact

Plug Options



MTP Oval Wire Opening



MTPR Round Wire Opening



MTP with Offset Latch Option

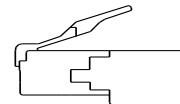


MTPR with Offset Latch Option

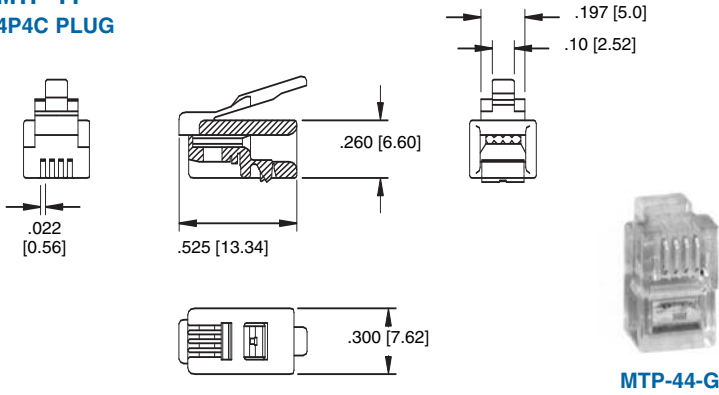
Plug with Metal EMI Shield Option



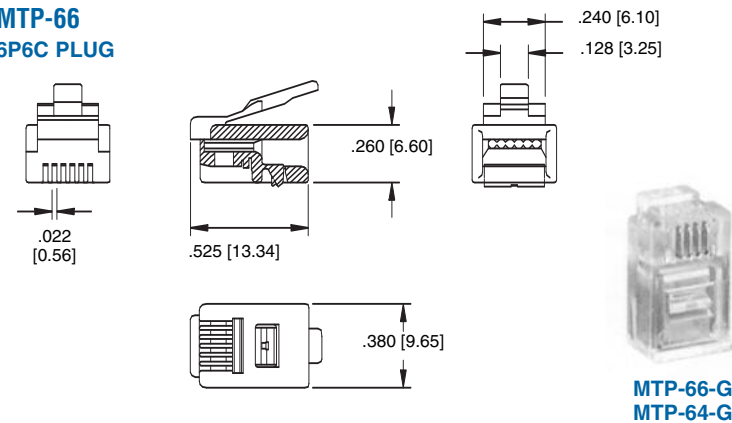
MTP-88-G-EMI



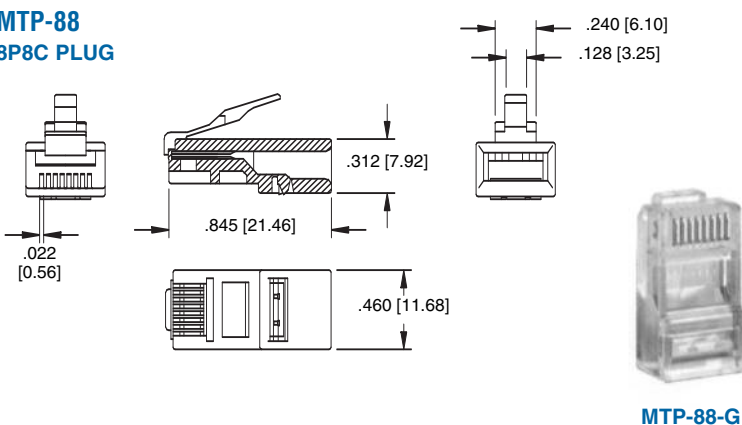
MTP-44 4P4C PLUG



MTP-66 6P6C PLUG



MTP-88 8P8C PLUG



MTP-1010 10P10C PLUG



MTP-1010-G

