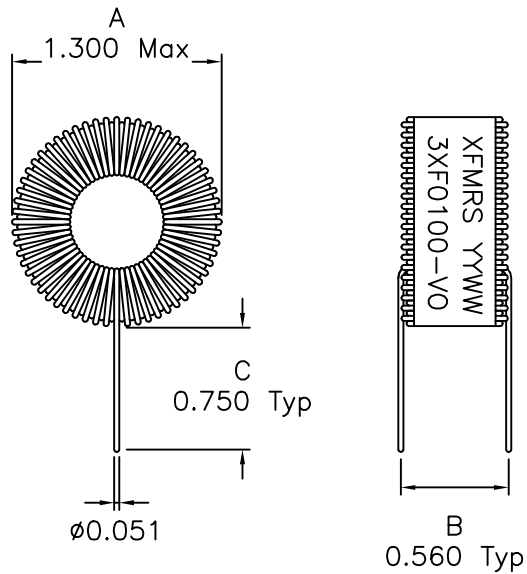


1. Mechanical Dimensions:



2. Schematic:



3. Electrical Specifications:

Inductance: 100uH ±10% @1.0KHz,1.0V

Current Rating: 5.0ADC

DC Resistance: 0.030 Ohms Max.

Note:

1. Solderability: Leads shall meet MIL-STD-202, Method 208D for solderability.
2. Flammability: UL94V-0,
3. ASTM oxygen index: > 28% ,
4. Temperature rating: 155°C. UL file E151556,
5. Operating Temperature Range: 0°C to +70°C
6. the tinned length is the same as the lead length.

DOC. REV. A/1

XFMRS Inc.	Title: Toroid Inductor		
	UNLESS OTHERWISE SPECIFIED		P/N: 3XF0100-VO
TOLERANCES: .xxx ±0.010 Dimensions in Inch	REV. A		
	DWN.	李小锋	Jun-07-01
	CHK.	廖玉坤	Jun-07-01
SHEET 1 OF 1	APP.	BW	Jun-07-01