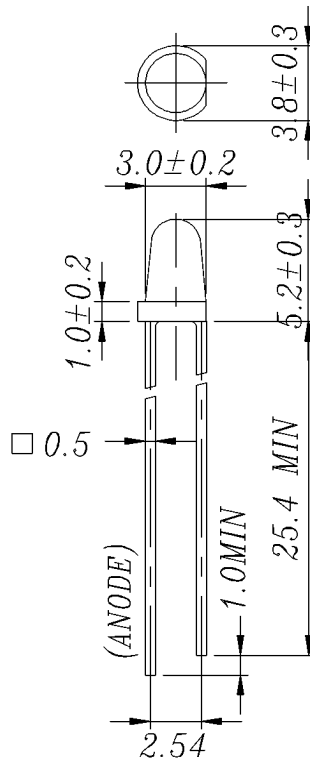


This lamp is a T-1, 3 mm Round. It is designed for applications requiring higher brightness.



RoHS Compliant
Aug 2004



PART NO.	Chip		Lens Color
	Material	Emitted Color	
JGC2381	AlGaInP	Super Yellow Green	Water Clear

* Specifications subject to change without notice. Dimensions are in mm±0.25 unless stated otherwise.

Absolute Maximum Ratings at $T_a = 25\text{ }^\circ\text{C}$

Parameter	Symbol	Rating	Units
Forward Current	I_F	25	mA
Operating Temperature	T_{opr}	-40 to +85	$^\circ\text{C}$
Storage Temperature	T_{stg}	-40 to +100	$^\circ\text{C}$
Soldering Temperature	T_{sol}	260 ± 5	$^\circ\text{C}$
Electrostatic Discharge	ESD	2000	V
Power Dissipation	P_d	60	mW
Peak Forward Current (Duty 1/10 @ 1KHz)	I_F (Peak)	160	mA
Reverse Voltage	V_R	5	V

Electronic Optical Characteristics

Parameter	Symbol	Min.	Typ.	Max.	Units	Condition	
Luminous Intensity	I_V	JGC2381	40	70	—	mcd	$I_F = 20\text{ mA}$
		JGC2381-2	90	120			
		JGC2381-3	100	320			
		JGC2381-4	250	630			
Viewing Angle	$2\theta_{1/2}$	—	25	—	deg	$I_F = 20\text{ mA}$	
Peak Wavelength	λ_p	—	575	—	nm	$I_F = 20\text{ mA}$	
Dominant Wavelength	λ_d	—	573	—	nm	$I_F = 20\text{ mA}$	
Spectrum Radiation Bandwidth	$\Delta\lambda$	—	20	—	nm	$I_F = 20\text{ mA}$	
Forward Voltage	V_F	—	2.0	2.4	V	$I_F = 20\text{ mA}$	
Reverse Current	I_R	—	—	10	μA	$V_R = 5\text{ V}$	

* Specifications subject to change without notice. Dimensions are in mm \pm 0.25 unless stated otherwise.

IDEA, Inc., 1351 Titan Way, Brea, CA 92821 Ph:714-525-3302, 800-LED-IDEA; Fax: 714-525-3304 0507