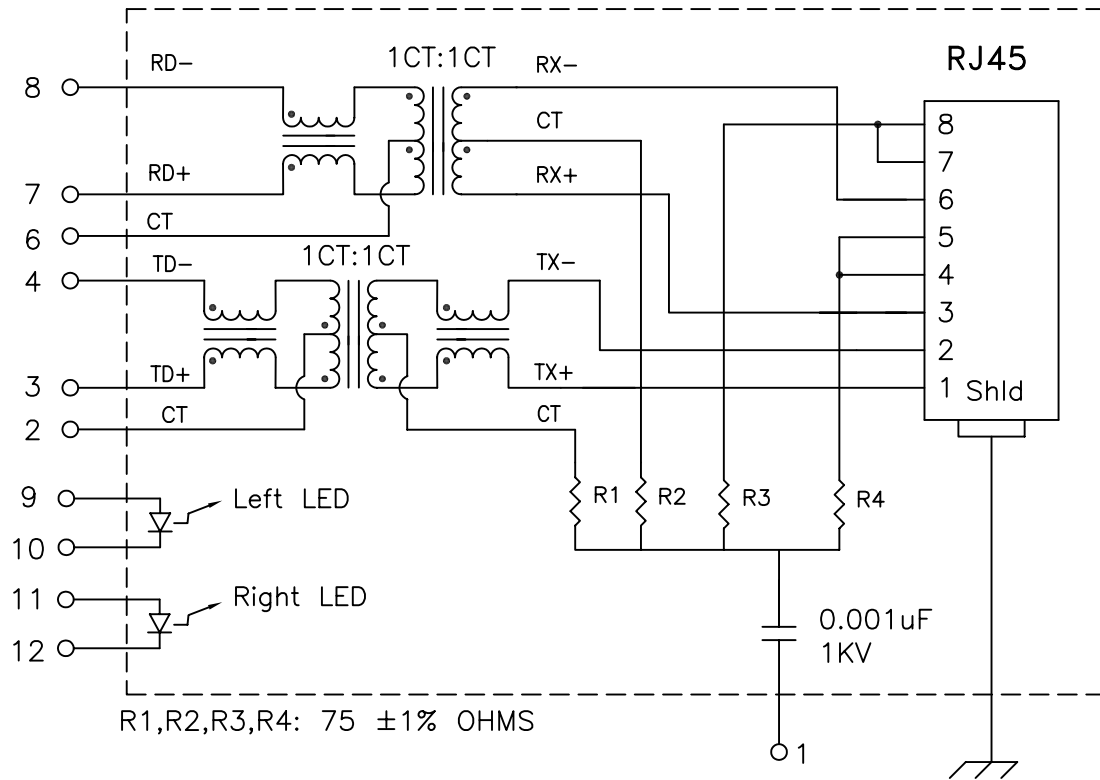


Schematic:



Electrical Specifications: @25°C

Isolation Voltage: 1500Vrms(INPUT to OUTPUT), 500Vrms(TD to RD)

UTP SIDE OCL: 350uH Min @100KHz 100mV 8mADC

Rise Time (10-90%): 2.5ns Typical

Insertion Loss (300KHz-100MHz): -1.1dB Maximum

Insertion Loss (100MHz-125MHz): -1.5dB Maximum

Return Loss: -18dB Min. @30MHz

-12dB Min. @80MHz

Crosstalk:

100KHz-60MHz -40dB Typical

60MHz-100MHz -38dB Typical

Common Mode to Differential Mode Rejection:

100KHz-60MHz -45dB Typ (Tx) / -40dB Typ (Rx)

60MHz-100MHz -40dB Typ (Tx) / -35dB Typ (Rx)

Notes:

- Solderability: Leads shall meet MIL-STD-202, Method 208D for solderability.
- Flammability: UL94V-0
- ASTM oxygen index: > 28%
- Temperature rating: 155°C. UL file E151556,
- Operating Temperature Range: 0°C to +70°C

Complete the Combo P/N as follows:

Replace 'x' & 'u' in the part number with one of the LED color letters:

Y=Yellow 'x' = Left LED Color

G=Green 'u' = Right LED Color

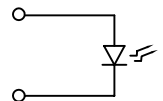
A=Amber

R=Red

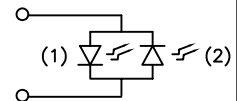
N=Yellow(1)/Green(2) Bicolor

M=Green(1)/Yellow(2) Bicolor

Single Color LED:



Bi-Color LED:



XFMRS Inc.

Title:

SINGLE PORT TAB-UP COMBO

UNLESS OTHERWISE SPECIFIED

P/N: XFATM2-CTxu1-4

REV. A

TOLERANCES:

DWN.

李小锋

May-02-03

.xxx ±0.010

CHK.

廖玉坤

May-02-03

Dimensions in Inch

APP.

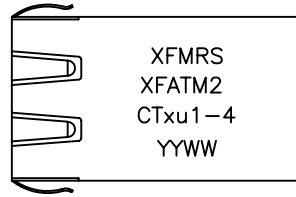
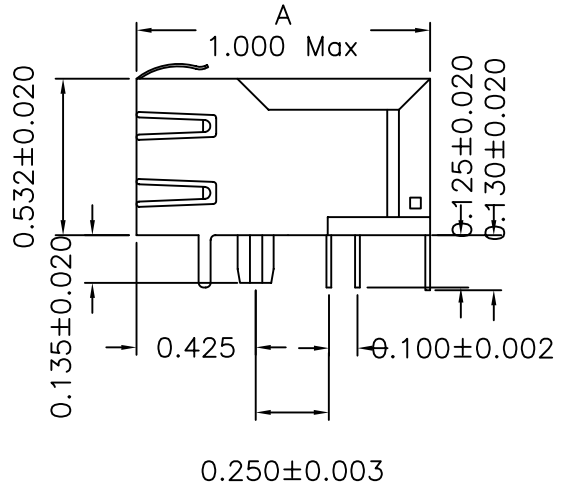
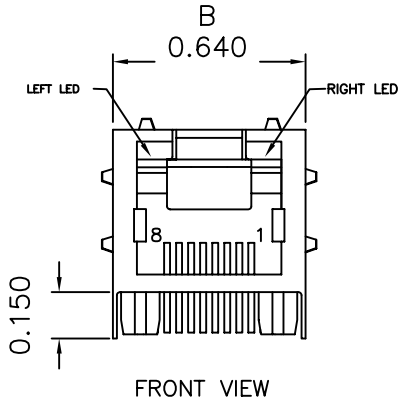
MS

May-02-03

DOC. REV A/2

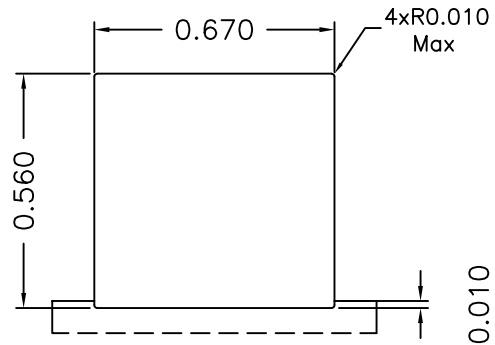
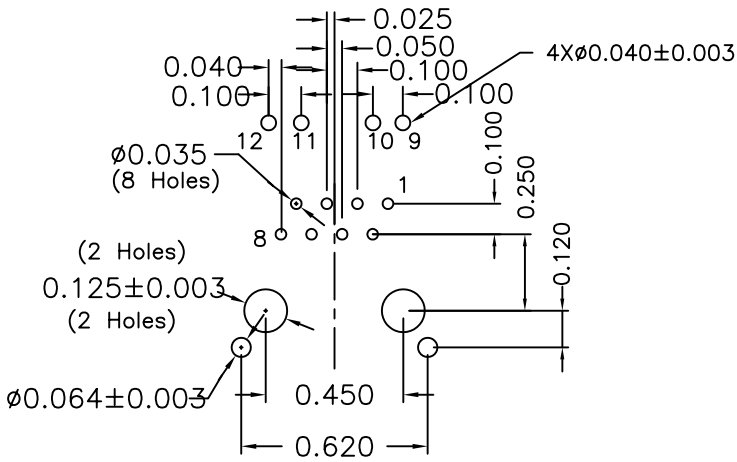
SHEET 1 OF 2

Mechanical Dimensions:



TOP VIEW

Mounting Pattern:



FACE VIEW
RECOMMENDED PANEL CUTOUT

DOC. REV A/2

XFMR5 Inc.	Title: Mechanical Dimensions For TAB UB RJ45 COMBO	
	UNLESS OTHERWISE SPECIFIED TOLERANCES: .xxx ± 0.010 Dimensions in Inch	P/N: XFATM2-CTxu1-4
SHEET 2 OF 2	REV. A	
	DWN.	刘 鹏
	CHK.	李小锋
APP.	MS	May-02-03