

SINGLE RJ45 CONNECTOR MODULE WITH INTEGRATED 10/100 BASE-TX MAGNETICS AND LEDS

P/N: NU1S114-434

Page : 1/1

Feature



- RJ-45 Connector Integrated with X'FMR /Impedance resistor/High voltage capacitor.
- Size same as RJ-45 connector to save PCB Board space.
- Reduce EMI radiation, Improve EMI performance.
- Design for 100 BASE transmission over UTP-5 cable.
- Operating temperature range: 0°C to +70°C.
- Storage temperature range: -25°C to +85°C.

Code	1	3	4	Empty
LED Color	Red	Yellow	Green	No LED

Electrical Specifications @ 25°C

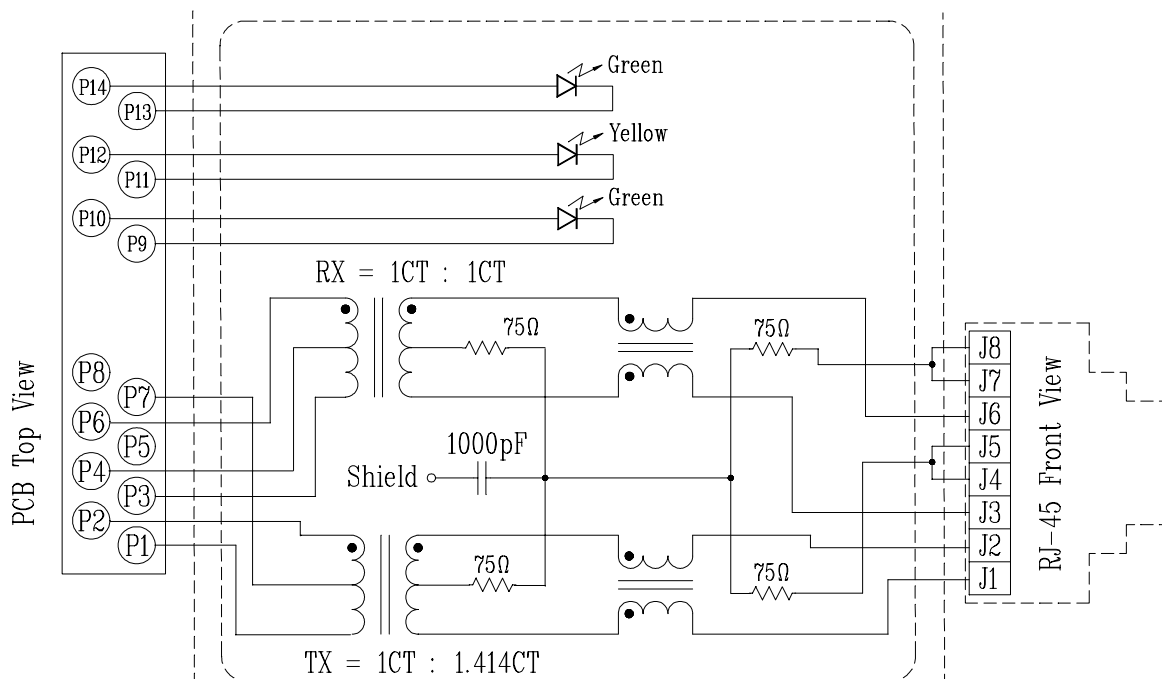
Part Number	Turns Ratio (±5%)		OCL(uH Min) @ 100 KHz/0.1V with 8mA DC Bias	C _{w/w} (pF Max)	L.L (uH Max) TX/RX	Rise Time 10-90% (nS Typ)	Insertion Loss (dB Max)RX/TX 0.3-100MHz	HI-POT (Vrms) 1500
	TX	RX						
NU1S114-434	1CT:1.414CT	1CT:1CT	350	28	0.8/0.5	2.5	-2.0	1500

Continue

Part Number	Return Loss (dB Min)RX					Cross talk (dB Min)TX/RX			CMR (dB Min) TX/RX		
	30MHz	40MHz	50MHz	60MHz	80MHz	0.3-30MHz	30-30MHz	60-100MHz	1-30MHz	30-60MHz	60-125MHz
NU1S114-434	-16	-14	-13.5	-13	-10	-40	-35	-30	-30	-25	-20

Schematic

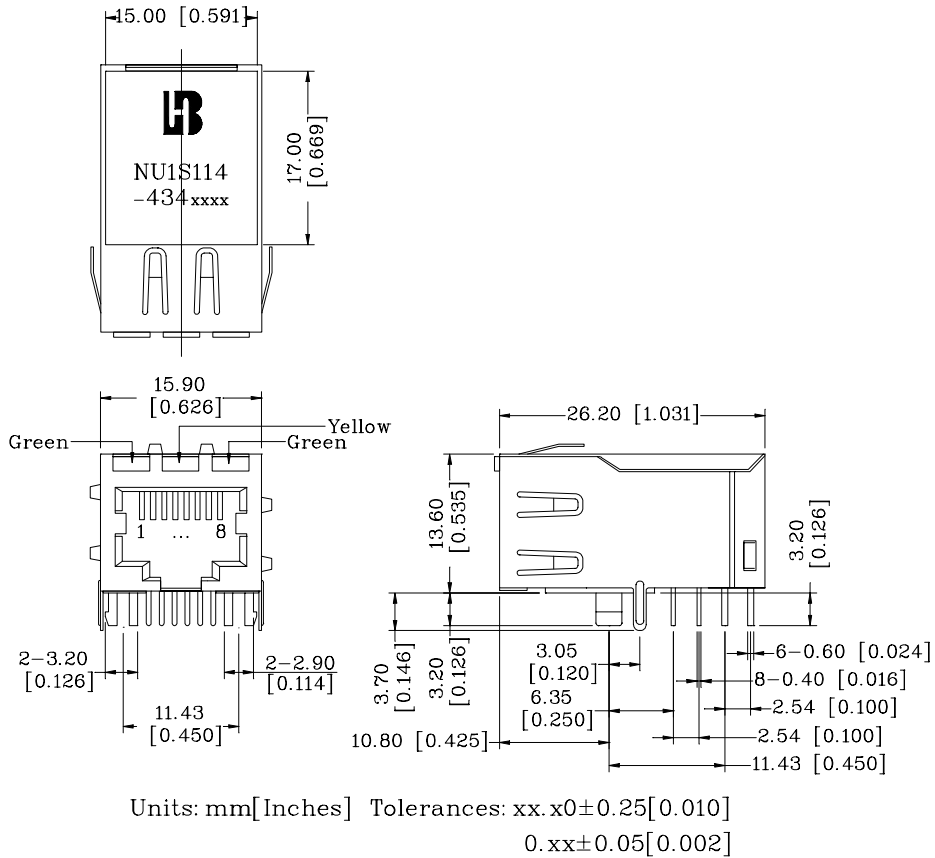
Block Circuit 1 x 1set in NU1S114-434



SINGLE RJ45 CONNECTOR MODULE WITH INTEGRATED 10/100 BASE-TX MAGNETICS AND LEDS

P/N: NU1S114-434

Mechanical



- 1. Plastic Material : PBT 15% Glass Filled(UL 94V-0), Black Housing
- 2. Metal Shield : Brass C2680-H, 20u Nickel Plated, t=0.25mm
- 3. Spring Wire : 0.45mm Dia. Phosphor bronze with 6u gold plated
- 4. Solder Pin : 0.4x0.4mm, Phosphor bronze with solder Plated
- 5. Durability : 300 Mating cycles Min.

PCB Layout Mounting Hole(Top View)

