


## Specifications for Surface Mount Single-Turn Trimmers

Series	VG026 Series	VG039N Series
Model Examples		
Features	<ul style="list-style-type: none"> <li>■ 2mm Surface Mount, Single-Turn, Cermet Trimmers</li> <li>■ Low Profile, 0.8mm in Height</li> <li>■ First in Industry: Resin Sealed Insulation Area on Mounting Surface to Eliminate Rerouting Traces</li> <li>■ Stable Performance in Adverse Ambient Conditions</li> <li>■ 8mm Embossed Tape for Automatic Insertion</li> <li>■ Recommended for Reflow Soldering</li> <li>■ <b>RoHS Compliant:</b> Pb-Free and Cd-Free</li> </ul>	<ul style="list-style-type: none"> <li>■ 3mm Surface Mount, Single-Turn, Cermet Trimmers</li> <li>■ Low Profile, 1.2mm in Height</li> <li>■ First in Industry: Resin Sealed Insulation Area on Mounting Surface to Eliminate Rerouting Traces</li> <li>■ Stable Performance in Adverse Ambient Conditions</li> <li>■ 8mm Embossed Tape for Automatic Insertion</li> <li>■ Recommended for Reflow Soldering</li> <li>■ <b>RoHS Compliant:</b> Pb-Free and Cd-Free</li> </ul>
Nominal Size and Construction	2.2mm x 2.6mm x 0.8mm in height Open Frame, Surface Mount	3mm x 3.8mm x 1.2mm in height Open Frame, Surface Mount
Resistive Element	Cermet	Cermet
Adjustment Travel	Single-Turn: 240° ± 20°	Single-Turn: 270° ± 20°
Adjustment Type	Top Adjust Flush Cross-Slot	Top Adjust Flush Cross-Slot with Rotational Stops
Terminal Style	Surface Mount Triangular Footprint	Surface Mount Triangular Footprint
Resistance Range	100Ω to 1MΩ (1, 2, 3, 5 Sequence)	100Ω to 1MΩ (1, 2, 3, 5 Sequence)
Resistance Tolerance	± 25%	± 25%
Power Rating	0.1 W at +70°C 0 W at +100°C	0.15 W at +70°C 0 W at +100°C
Maximum Working Voltage	50V	50V or $\sqrt{PR} = V$ , whichever is smaller
Temperature Range	-40°C to +100°C	-40°C to +100°C
Temperature Coefficient	± 250 ppm/°C	± 250 ppm/°C
Operating Torque	0.49 – 7.84 mN•m (5 – 80 gf•cm)	0.98 – 11.76 mN•m (10 – 120 gf•cm)

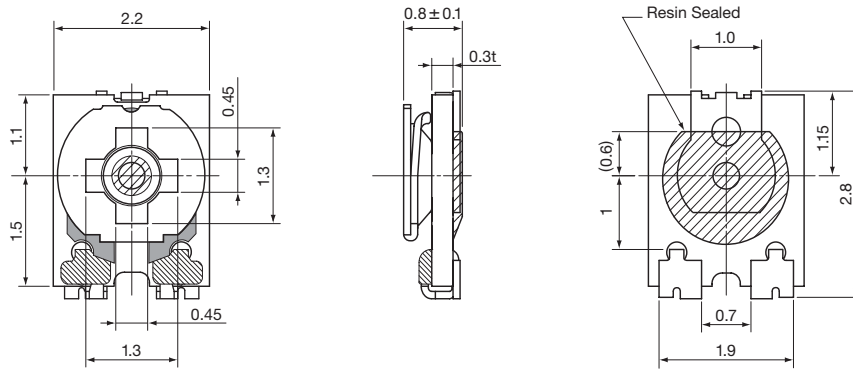
## Standard Nominal Resistance Values with Ordering Codes

Standard Nominal Resistances and Ordering Codes	Resistance (Ω)	Code	Resistance (Ω)	Code	Resistance (Ω)	Code	Resistance (Ω)	Code
	100	101	1,000	102	10,000	103	100,000	104
	200	201	2,000	202	20,000	203	200,000	204
	300	301	3,000	302	30,000	303	300,000	304
	500	501	5,000	502	50,000	503	500,000	504
	—	—	—	—	—	—	1,000,000	105

## Dimensions for Surface Mount Single-Turn Trimmers

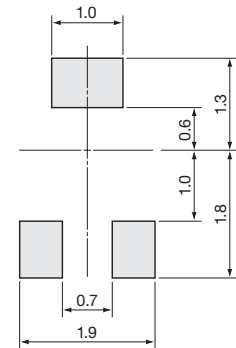
### VG026 2mm Surface Mount, Cross-Slot, Single-Turn

Unit: mm



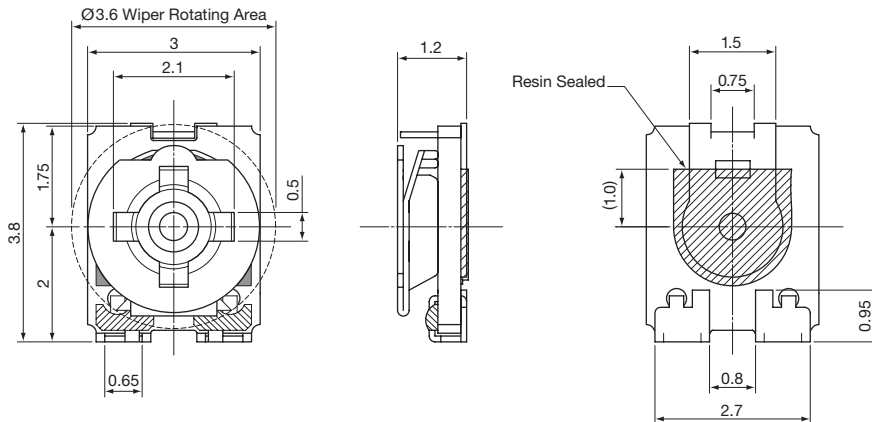
**Packaging**  
8mm Embossed Tape; 3,000 Pieces Per Ø180 mm Reel

### Recommended Land Pattern



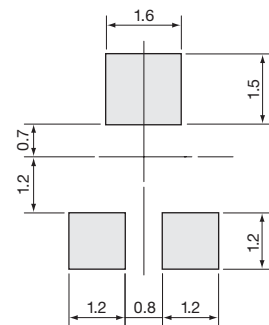
□ Solder Pads

### VG039N 3mm Surface Mount, Cross-Slot, Single-Turn



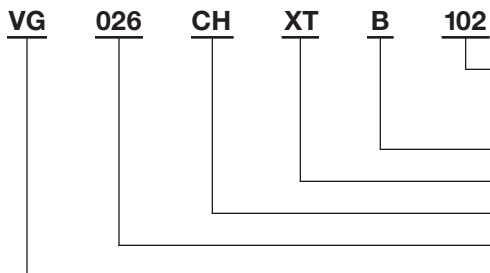
**Packaging**  
8mm Embossed Tape; 2,500 Pieces Per Ø180 mm Reel

### Recommended Land Pattern



□ Solder Pads

## Part Numbering System for Surface Mount VG026 and VG039N



Resistance Code: Expressed in ohms. A three digit code where the first two digits are significant figures, and the third digit indicates the number of zeros that follow these figures (i.e., 100 = 10Ω; 101 = 100Ω; 102 = 1,000Ω; 105 = 1,000,000Ω).

Resistance Taper: B = Linear.

Packaging: XT = Tape; Blank = Bulk.

Design Type: Surface Mount Chip.

Size: 026 = 2mm; 039N = 3mm (See Dimensions).

TOCOS Series: VG = Cermet.