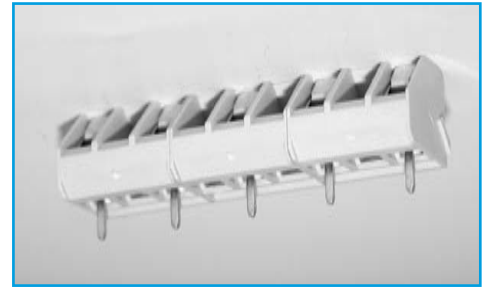




TERMINAL BLOCKS

- 10mm pitch
- Flame retardant material
- 4mm² wire acceptance
- UL/ CSA approved
- Professional rising clamp

10mm PITCH 45° MOUNT



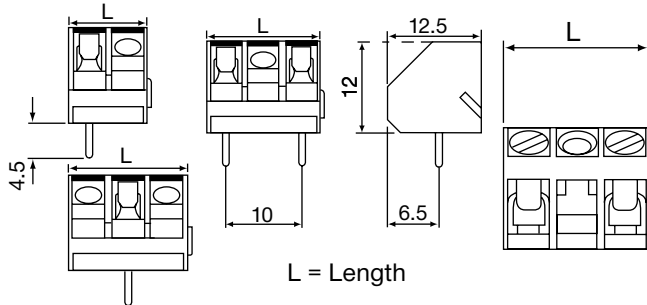
SPECIFICATION

Rating: 17.5A/750V
Dielectric Strength: ≥1.25KV/60sec
Insulation Resistance: ≥5MΩ
Working temperature: -20°C to 125°C
Short Period: 160°C
Moulding: UL94V-0 flame retardant PA66
Pin/terminal: 5μ tinned, nickel plated brass

Rising clamp: Zinc plated steel
Screw/torque: M2.5 steel, 6μ zinc colour passivated and tropicalised/0.4Nm

Recommended PCB hole size: ø1.3mm

OUTLINE DRAWING



ORDERING INFORMATION

DBC	TB	57	/2
Dubilier Connectors	Series Terminal Block	Style	Nº of Ways 2 = 2 ways 3 = 3 ways

TERMINAL BLOCKS

- 10mm pitch
- Professional rising clamp terminal
- 18 pole strip
- 4mm² wire acceptance
- UL/CE/VDE approved
- Easily cut to required number of poles

10MM PITCH 18 POLE RISING CLAMP



SPECIFICATION

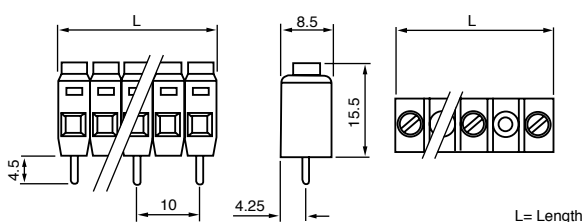
Electrical Characteristics

Rating Current: 17.5A/750V
Dielectric Voltage: ≥ 2.5kV/60sec
Insulation Resistance: ≥ 5MΩ
Operating Temperature: -20°C to +125°C
Short Period: 160°C

Moulding: UL94-V0 flame retardant Lexan
Pin/terminal: 5μ tinned, nickel plated brass
Rising clamp: Zinc plated steel
Screw/torque: M2.5 steel, 6μ zinc colour passivated and tropicalised/0.4Nm

Recommended PCB hole size: ø1.3mm

OUTLINE DRAWING



ORDERING INFORMATION

DBC	TB	25	/2
Dubilier Connectors	Series Terminal Blocks	Style	No of Ways 2 = 2ways 3 = 3ways

* other number of ways are available
Please consult the office for further details

SECTION 18