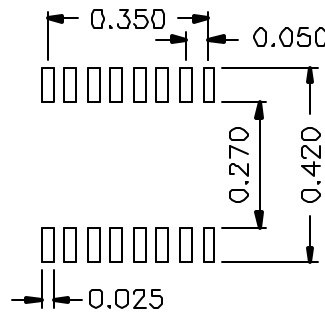
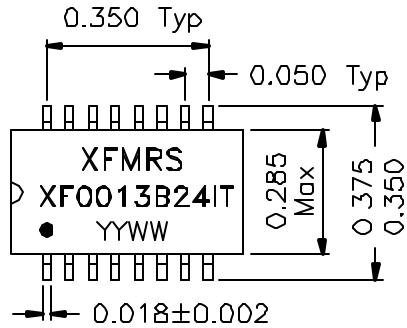
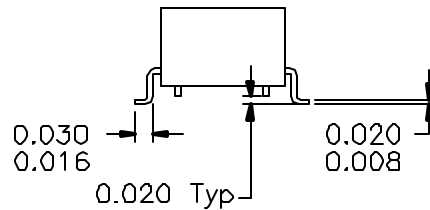
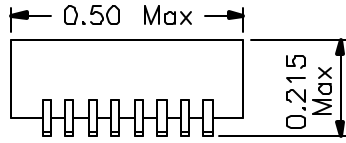
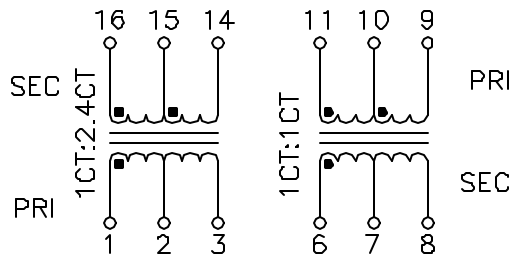


### 1. Dimensions:



SUGGESTED FOOTPRINT

### 2. Schematic:



DOC. REV: A/2

### 3. Electrical Specifications: @25°C

- Isolation Voltage: 1500 VAC
- Turns Ratio: (1-2-3):(16-15-14)=1CT:2.4CT ±3%
- Turns Ratio: (6-7-8):(11-10-9)=1CT:1CT ±3%
- PRI OCL: 1.0mH Minimum @100KHz 50mV
- Cw/w: 30pF Maximum @100KHz 50mV (Pri/Sec)
- Leakage Inductance: 0.8uH Maximum @100KHz 50mV @PRI, WITH SEC SHORTED
- DC Resistance: 1-3, 0.85 Ohms Maximum
- DC Resistance: 6-8, 0.85 Ohms Maximum
- DC Resistance: 9-11, 0.85 Ohms Maximum
- DC Resistance: 14-16, 1.50 Ohms Maximum
- Operating Temperature: -40°C - +85°C
- Flamability Rating: UL94V0
- Longitudinal Balance: Meets FCC Part 68
- Common Mode Rejection Ratio: >50dB @1MHz
- Return Loss:
 

50-100KHz	100KHz-2MHz	2-3MHz
XMIT: 9dB	15dB	11dB
RCV: 12dB	18dB	14dB
- Crosstalk Attenuation: 50dB Min, 100KHz to 10MHz
- Surge Voltage Capability:
  - Metalic Voltage, 800V peak, 10/560uS
  - Longitudinal Voltage, 2400V peak, 10/700uS
- UL1459 Pending

<b>XFMRS Inc</b>	Title: SMD T1/E1 ISOLATION MODULE		
	UNLESS OTHERWISE SPECIFIED	P/N: XF0013B24IT	REV. A
	TOLERANCES: .xxx ±0.010	DWN. 李清儿	Jan-27-99
	Dimensions in Inch	CHK. 孙小松	Jan-27-99
SHEET 1 OF 1	APP. BW	Jan-27-99	