

## Specifications

Insulation Resistance: 500MΩ min. at 500V DC  
 Withstanding Voltage: 500V AC rms for 1 minute  
 Contact Resistance: 35mΩ max. at 10mA  
 Current Rating: 0.5A  
 Operating Temp. Range: -55°C to +85°C  
 Mating Cycles: 500 insertions  
 Soldering Temp.: 230°C / 10 sec.

## Materials and Finish

Housing: PPS (glass filled), UL 94V-0 rated  
 Contacts: Copper Alloy  
 Plating: Mating Face Contacts - Au over Ni  
 Solder Terminals - Au over Ni



## Part Number (Details)

**NDS 050 - 002 - BF**

Series (socket)

No. of Leads

Terminal Type:

2 = Right Angle Solder Dip

Contact Plating:

Mating Face - Au (0.3μm min.) over Ni

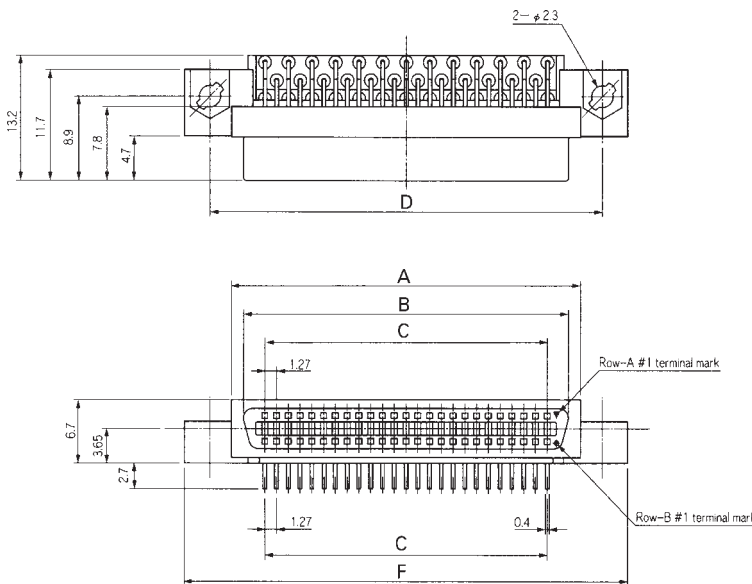
Solder Terminals - Au (0.05μm min.) over Ni



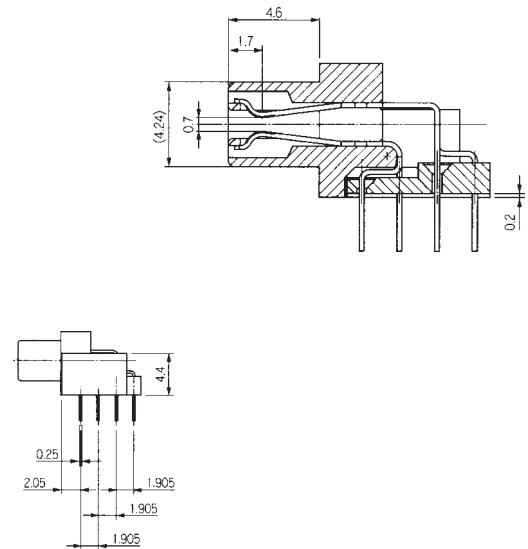
## Features

Low insertion and extraction forces due to bellows type contacts

## Outline Dimensions

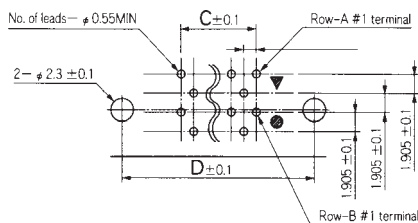


## Contact Details

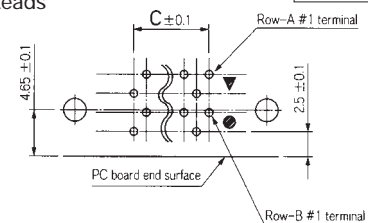


## Recommended PCB Layout

For 50 Leads only



For All Other Leads



## Standard types

Part Number	No. of Leads	A	B	C	D	E
NDS036-002-BF	36	28.75	26.17	21.59	33.43	38.93
NDS040-002-BF	40	31.29	28.71	24.13	35.97	41.47
NDS050-002-BF	50	37.64	35.06	30.48	42.32	47.82
NDS100-002-BF	100	69.39	66.81	62.23	74.04	79.57
NDS120-002-BF	120	82.09	79.51	74.93	86.77	92.27
NDS128-002-BF	128	87.17	84.59	80.01	91.85	97.35

For the following versions below please contact Yamaichi, minimum order quantity may be required

NDS068-002-BF	68	49.07	46.49	41.91	53.75	59.25
NDS080-002-BF	80	56.69	54.11	49.53	61.37	66.87

## Specifications

Insulation Resistance: 500MΩ min. at 500 V DC  
 Withstanding Voltage: 500 V AC rms for 1 minute  
 Contact Resistance: 35mΩ max. at 10mA  
 Current Rating: 0.5A  
 Operating Temp. Range: -55°C to +85°C  
 Mating Cycles: 500 insertions  
 Soldering Temp.: 230° C / 10 sec.



## Materials and Finish

Housing: PPS (glass filled), UL 94V-0 rated  
 Contacts: Copper Alloy  
 Plating: Mating Face Contacts - Au over Ni  
 Solder Terminals - Au over Ni



## Part Number (Details)

**NDS 050 - 004 - BF**

Series (socket)

No. of Leads

Terminal Type:

4 = Straight Solder Dip

Contact Plating:

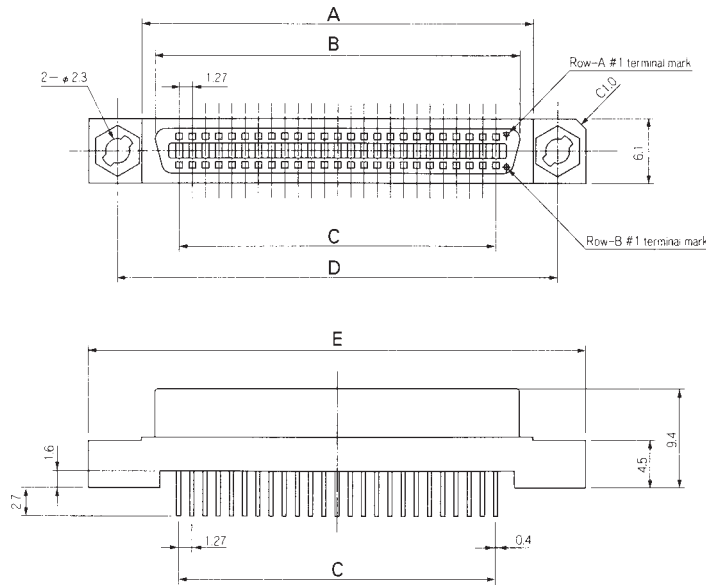
Mating Face - Au (0.3μm min.) over Ni

Solder Terminals - Au (0.05μm min.) over Ni

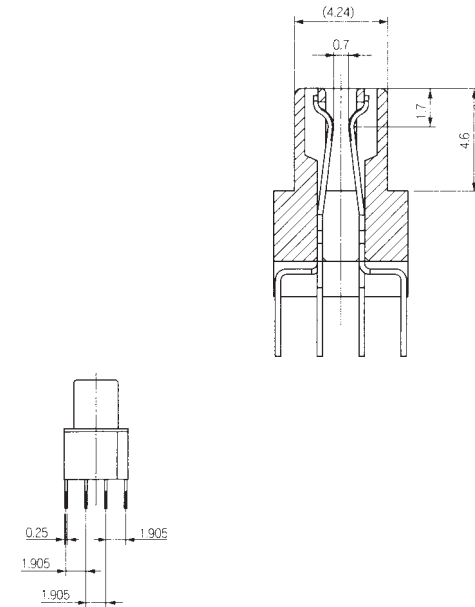
## Features

↳ Low insertion and extraction forces due to bellows type contacts

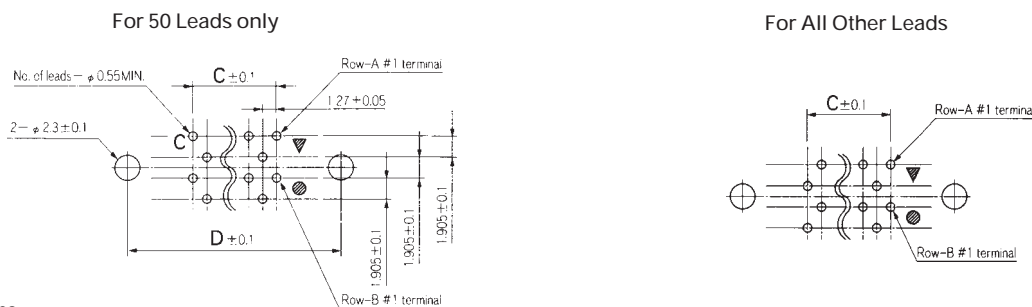
## Outline Dimensions



## Contact Details



## Recommended PCB Layout



## Standard types

Part Number	No. of Leads	A	B	C	D	E	Part Number	No. of Leads	A	B	C	D	E
NDS036-004-BF	36	28.75	26.17	21.59	33.43	38.93	NDS068-004-BF	68	49.07	46.49	41.91	53.75	59.25
NDS040-004-BF	40	31.29	28.71	24.13	35.97	41.47	NDS128-004-BF	128	87.17	84.59	80.01	91.85	97.35
NDS050-004-BF	50	37.64	35.06	30.48	42.32	47.82							

For the following versions below please contact Yamaichi, minimum order quantity may be required

NDS060-004-BF	60	43.99	41.41	36.83	48.67	54.17	NDS100-004-BF	100	69.39	66.81	62.23	74.04	79.57
NDS080-004-BF	80	56.69	54.11	49.53	61.37	66.87	NDS120-004-BF	120	82.09	79.51	74.93	86.77	92.27