

Series ZP4 Header for SMT (Various Heights)

Specifications

Voltage Rating: 150V AC
 Current Rating: 1.5A
 Operating Temp. Range: -40°C to +105°C
 Withstanding Voltage: 500V for 1 minute
 Soldering Temp.: 220°C min. / 60 sec., 250°C peak

Materials and Finish

Housing: UL 94V-0 listed
 Terminals: Brass
 Contact Plating: Gold over Nickel

Features

- Pin count from 8 to 60

Part Number (Details)

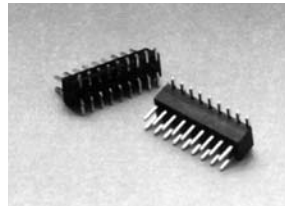
ZP4 - *** - ** - G2

Series No.

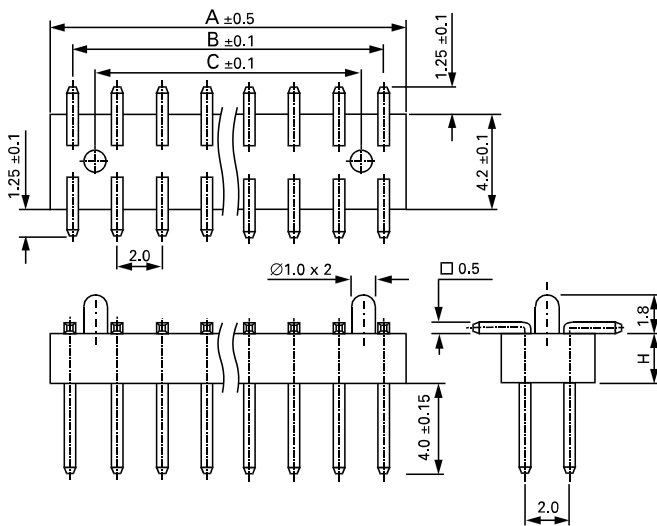
Plastic Height (see table)

No. of Contact Pins (8 to 60)

Mating Face Plating:
 G2 = Gold Flash



Outline Connector Dimensions

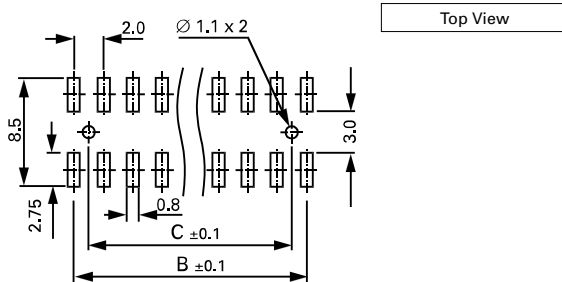


Dimensional Information

Part Number	Dim. A	Dim. B	Dim. C
ZP4-***-08-G2	8.0	6.0	4.0
ZP4-***-10-G2	10.0	8.0	6.0
ZP4-***-12-G2	12.0	10.0	8.0
ZP4-***-14-G2	14.0	12.0	10.0
ZP4-***-16-G2	16.0	14.0	12.0
ZP4-***-18-G2	18.0	16.0	14.0
ZP4-***-20-G2	20.0	18.0	16.0
ZP4-***-22-G2	22.0	20.0	18.0
ZP4-***-24-G2	24.0	22.0	20.0
ZP4-***-26-G2	26.0	24.0	22.0
ZP4-***-28-G2	28.0	26.0	24.0
ZP4-***-30-G2	30.0	28.0	26.0
ZP4-***-32-G2	32.0	30.0	28.0
ZP4-***-34-G2	34.0	32.0	30.0
ZP4-***-36-G2	36.0	34.0	32.0
ZP4-***-38-G2	38.0	36.0	34.0
ZP4-***-40-G2	40.0	38.0	36.0
ZP4-***-42-G2	42.0	40.0	38.0
ZP4-***-44-G2	44.0	42.0	40.0
ZP4-***-46-G2	46.0	44.0	42.0
ZP4-***-48-G2	48.0	46.0	44.0
ZP4-***-50-G2	50.0	48.0	46.0
ZP4-***-52-G2	52.0	50.0	48.0
ZP4-***-54-G2	54.0	52.0	50.0
ZP4-***-56-G2	56.0	54.0	52.0
ZP4-***-58-G2	58.0	56.0	54.0
ZP4-***-60-G2	60.0	58.0	56.0

2.00mm Connectors

Recommended PCB Layout

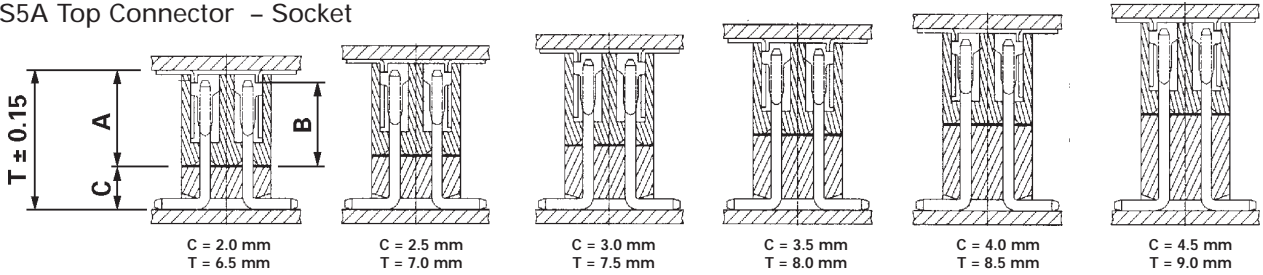


Part Numbers for Plastic Heights and Available Corresponding Pin Counts

Part Number	Dim. H	Available Pin Counts
ZP4-080-**-G2	1.5	8, 10, 12, 14, 16, 18, 20, 22, 24, 26, 30, 32, 40, 50, 60
ZP4-085-**-G2	2.0	8, 12, 16, 32, 36
ZP4-090-**-G2	2.5	8, 12
ZP4-095-**-G2	3.0	4, 12, 14, 16, 36, 44
ZP4-100-**-G2	3.5	8, 24
ZP4-105-**-G2	4.0	8, 10, 12, 16, 26, 34
ZP4-110-**-G2	4.5	16, 18, 24, 30, 50, 60
ZP4-115-**-G2	5.0	8, 12, 20, 28, 30, 34, 50, 60
ZP4-120-**-G2	5.5	12, 20, 30
ZP4-125-**-G2	6.0	10

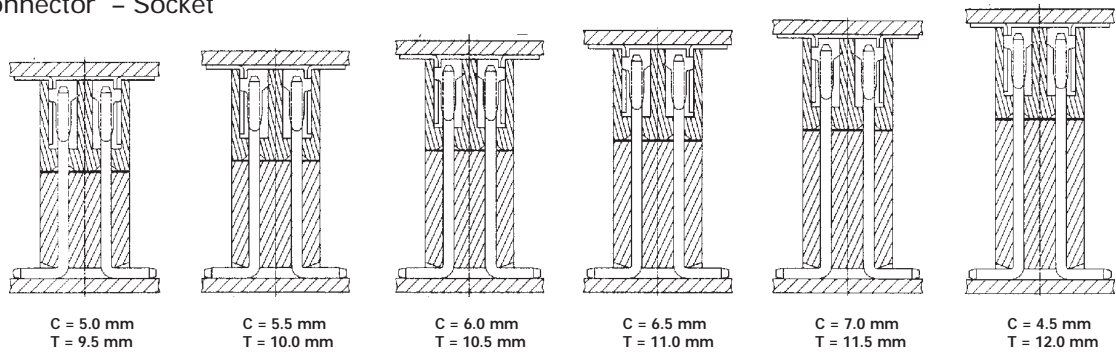
Part Number	Dim. H	Available Pin Counts
ZP4-130-**-G2	6.5	4, 8, 10, 20
ZP4-135-**-G2	7.0	24, 36
ZP4-140-**-G2	7.5	26
ZP4-145-**-G2	8.0	8, 40, 50
ZP4-150-**-G2	8.5	14
ZP4-155-**-G2	9.0	20
ZP4-160-**-G2	9.5	14, 16, 20
ZP4-165-**-G2	10.0	10, 16, 30, 40
ZP4-170-**-G2	10.5	30
ZP4-175-**-G2	11.0	8, 12, 16, 20, 44

ZS5A Top Connector – Socket



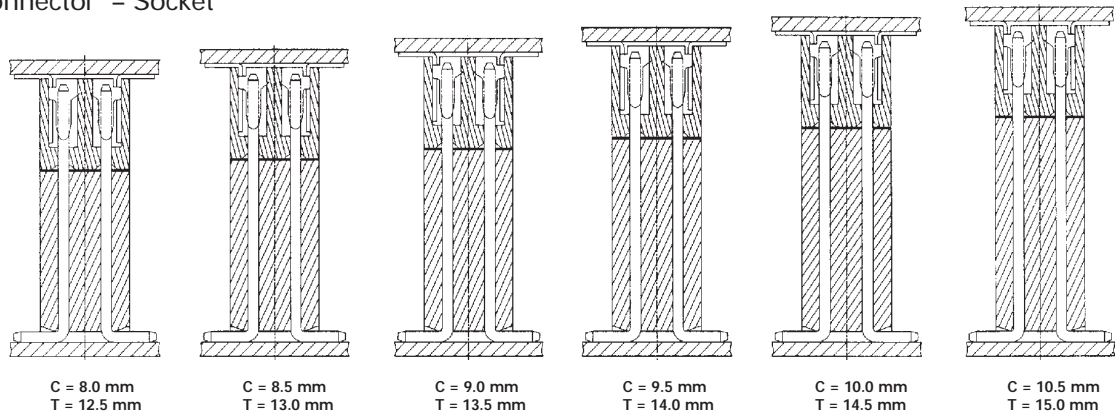
ZP4 Bottom Connector – Pin Header

ZS5A Top Connector – Socket



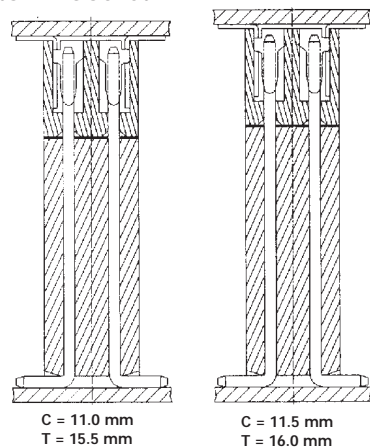
ZP4 Bottom Connector – Pin Header

ZS5A Top Connector – Socket



ZP4 Bottom Connector – Pin Header

ZS5A Top Connector – Socket



ZP4 Bottom Connector – Pin Header

Information:

Dimension 'A' = 4.50 mm
 Dimension 'B' = 4.00 mm
 These dimensions remain constant for the socket
ZS5A

Dimension 'C' = Height
 These dimensions vary from 2.0 mm to 12.0 mm for the pin header
ZP4

Total height = 'T' ±0.15