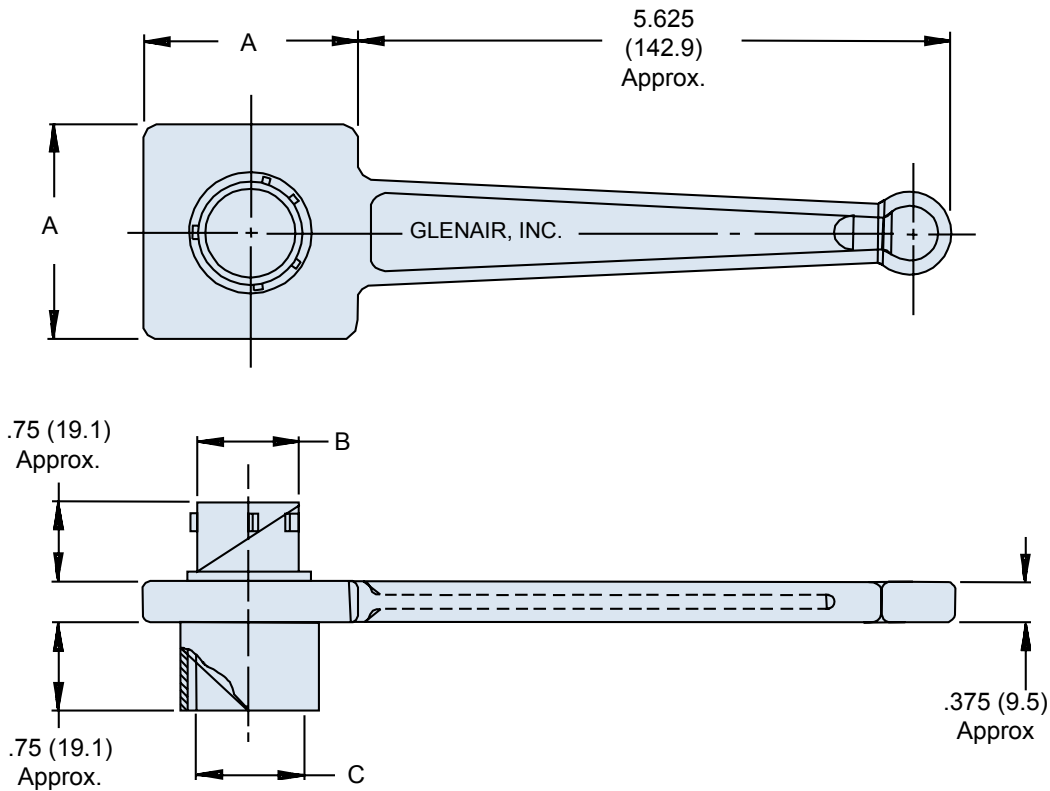
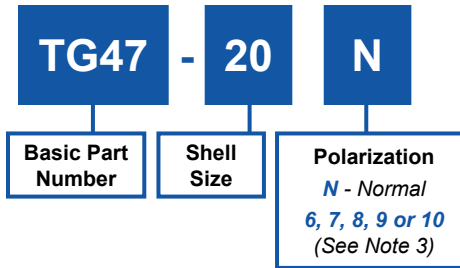


TG37
MIL-C-26500 and MIL-C-83723 Series III
Connector Wrench



Shell Size	A Dim. ± .062 (1.6)	B Dia. Ref.	C Dia. Ref.
8	1.250 (31.8)	.424 (10.8)	.428 (10.9)
10	1.250 (31.8)	.526 (13.4)	.530 (13.5)
12	1.250 (31.8)	.696 (17.7)	.700 (17.8)
14	2.000 (50.8)	.765 (19.4)	.769 (19.5)
16	2.000 (50.8)	.892 (22.7)	.896 (22.8)
18	2.000 (50.8)	.998 (25.3)	1.002 (25.5)
20	2.000 (50.8)	1.123 (28.5)	1.127 (28.6)
22	2.000 (50.8)	1.248 (31.7)	1.252 (31.8)
24	2.000 (50.8)	1.373 (34.9)	1.377 (35.0)

- APPLICATION NOTES**
1. Metric dimensions (mm) are indicated in parentheses.
 2. Material: Aluminum alloy with electroless nickel finish.
 3. Polarization 10 not available for shell size 8.
 4. Wrench has been designed to be used with both threaded and bayonet style connectors.