

IEC Appliance Inlet C14 with Fuseholder 1-pole



Description

- Panel Mount:
Screw-on version from front or rear side, Appliance Inlet, Protection class I, Fuseholder for fuse-links 5 x 20 mm
- Solder terminals or quick connect terminals

Approvals

- VDE License Number: 4E+07
- UL License Number: E88880
- CSA License Number: 1084381

Characteristics

- The fuse drawer "Fingergrip" can be removed by hand
- The fuseholder is accessible from the equipment front

References

[General Product Information](#)

Weblinks

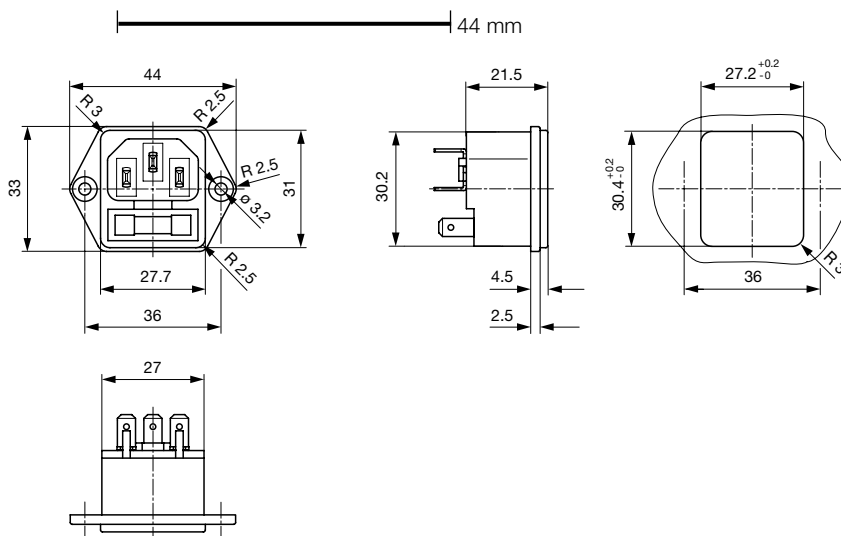
[Approvals](#), [RoHS](#), [CHINA-RoHS](#), [Mating Connectors](#), [e-Store](#), [Distributor-Stock-Check](#), [Accessories](#)

Technical Data

Ratings IEC	10A / 250VAC; 50Hz
Ratings UL/CSA	10A / 250VAC; 60Hz
Dielectric Strength	> 3kVAC between L-N > 1.5kVAC between L/N-PE (1 min/50Hz)
Allowable Operation Temp.	-25 °C to 70 °C
Degree of Protection	from front side IP 20 acc. to IEC 60529
Protection Class	Suitable for appliances with protection class 1 acc. to IEC 61140
Terminal	Solder terminals or quick connect terminals
Material: Housing	UL 94V-0

Appliance Inlet	C14 acc. to IEC/EN 60320-1 UL 498, CSA C22.2 no. 42 (for cold conditions) pin-temperature 70 °C, 10A, Protection Class 1
Fuseholder	1 or 2 pole, acc. to IEC 60127-6, for fuse-links 5 x 20mm
Power Acceptance @ Ta > 23°C	Admissible power acceptance at higher ambient temperature see derating curves

Dimensions



length of the terminal please find at the order code configuration table

Config. Code

Product Configurator

1060 - H - A B C N - D - E G O


The characters are placeholders for the correspondingly keys of selections from the key tables.

1060 - H - A B C N - D - E G O = Type

Type	Configuration key
protection class 1	X

1060 - H - A B C N - D - E G O = Terminals

Terminal L	Configuration key
short solder terminal (L=4,8mm)	2
long solder terminal (L=8,5mm)	3
blade terminal (4,8x0,8mm)	8
blade terminal (6,3x0,8mm)	9



1060 - H - A B C N - D - E G O = Terminals

Terminal N	Configuration key
short solder terminal (L=4,8mm)	2
long solder terminal (L=8,5mm)	3
blade terminal (4,8x0,8mm)	8
blade terminal (6,3x0,8mm)	9

Symbols similar as in table A

1060 - H - A B C N - D - E G O = Terminals

Terminal Ground	Configuration key
short solder terminal (L=4,8mm)	2
long solder terminal (L=8,5mm)	3
blade terminal (4,8x0,8mm)	8
blade terminal (6,3x0,8mm)	9

Symbols similar as in table A

1060 - H - A B C N - D - E G O = Terminal Fuseholder

Terminal Fuseholder	Configuration key
solder terminal	1
blade terminal (4,8x0,8mm)	8

1060 - H - A B C N - D - E G O = Color

Color	Configuration key
jet black; RAL9005	A
silver grey; RAL7001	B
pure white; RAL9010	D

standard color: black

1060 - H - A B C N - D - E G O = Style

Style	Configuration key
flange with countersunk holes	1
flange with through holes	2

1060 - H - A B C N - D - E G O = Dimension X

Dimension "X"	Configuration key
00	

The dimension "X" is displayed in ($\frac{1}{10}$ mm). This information is also valid for the order code

1060 - H - A B C N - D - E G O = Features

Features	Configuration key
dead cover	1
holder for 1 fuse (text legible, when inlet on top)	2
holder for 1 fuse (text legible, when inlet on bottom)	3

Variants

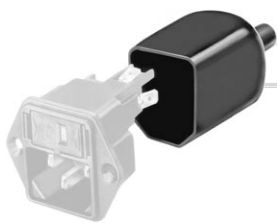
Config. Code	Description	Order Number
1060-X-2221-A-1002	1060, IEC Power Entry Module C14, 70°C, version: 1, L: short solder terminal (L=4,8mm), N: short solder terminal (L=4,8mm), ground: short solder terminal (L=4,8mm), fuseholder: solder terminal, color: jet black; RAL9005, design: flange with countersunk holes, dimension X: , features: holder for 1 fuse (text legible, when inlet on top), not used	4304.6005
1060-X-2221-B-1002	1060, IEC Power Entry Module C14, 70°C, version: 1, L: short solder terminal (L=4,8mm), N: short solder terminal (L=4,8mm), ground: short solder terminal (L=4,8mm), fuseholder: solder terminal, color: silver grey; RAL7001, design: flange with countersunk holes, dimension X: , features: holder for 1 fuse (text legible, when inlet on top), not used	4304.6006
1060-X-8888-A-1002	1060, IEC Power Entry Module C14, 70°C, version: 1, L: blade terminal (4,8x0,8mm), N: blade terminal (4,8x0,8mm), ground: blade terminal (4,8x0,8mm), fuseholder: blade terminal (4,8x0,8mm), color: jet black; RAL9005, design: flange with countersunk holes, dimension X: , features: holder for 1 fuse (text legible, when inlet on top), not used	4304.6007
1060-X-8888-B-1002	1060, IEC Power Entry Module C14, 70°C, version: 1, L: blade terminal (4,8x0,8mm), N: blade terminal (4,8x0,8mm), ground: blade terminal (4,8x0,8mm), fuseholder: blade terminal (4,8x0,8mm), color: silver grey; RAL7001, design: flange with countersunk holes, dimension X: , features: holder for 1 fuse (text legible, when inlet on top), not used	4304.6008
1060-X-9998-A-1002	1060, IEC Power Entry Module C14, 70°C, version: 1, L: blade terminal (6,3x0,8mm), N: blade terminal (6,3x0,8mm), ground: blade terminal (6,3x0,8mm), fuseholder: blade terminal (4,8x0,8mm), color: jet black; RAL9005, design: flange with countersunk holes, dimension X: , features: holder for 1 fuse (text legible, when inlet on top), not used	4304.6009

The listed variants should be available from stock Other versions on request www.schurter.com/contact

Packaging unit 50 Pcs

Accessories

Description



Assorted Covers
Rear Cover

Mating Outlets/Connectors

Category / Description

[Connector Overview complete](#)



IEC Connector C13, Rewireable, Angled	4012
IEC Connector C13, Rewireable, Angled	4013
IEC Connector C13, Rewireable, Straight	4020
IEC Connector C13, Rewireable, Straight	4021
IEC Connector C13, Rewireable, Straight	4022
Connector further types to 1060	...

[Power Cord Overview complete](#)



Power Cord with IEC Connector C13, Angled	0311
Power Cord with IEC Connector C13, Angled	3011
Power Cord with IEC Connector C13, Angled	3012
Power Cord with IEC Connector C13, Angled	3013
Power Cord with IEC Connector C13	3020
Power Cord further types to 1060	...

[Power Supply or Interconnection Cord Overview complete](#)



Divers Power Supply and Interconnection Cords 10 A	6000.0214
Divers Power Supply and Interconnection Cords 10 A	6000.0224
Divers Power Supply and Interconnection Cords 10 A	6003.0204
Divers Power Supply and Interconnection Cords 10 A	6003.0205
Divers Power Supply and Interconnection Cords 10 A	6003.0215
Power Supply or Interconnection Cord further types to 1060	...