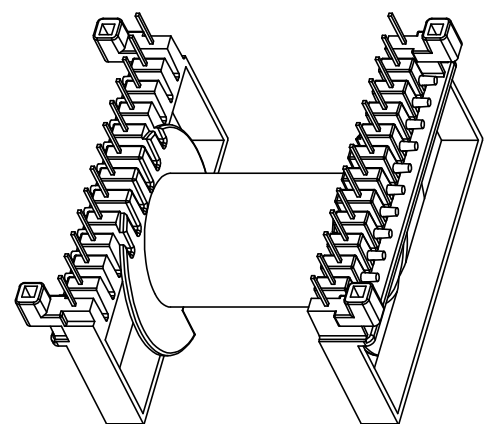
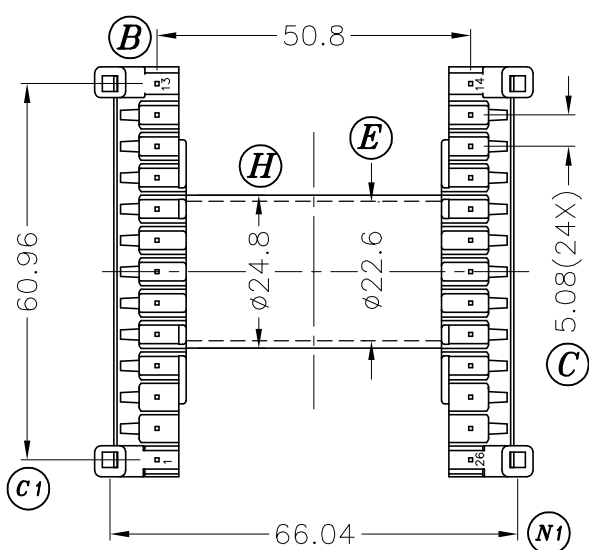
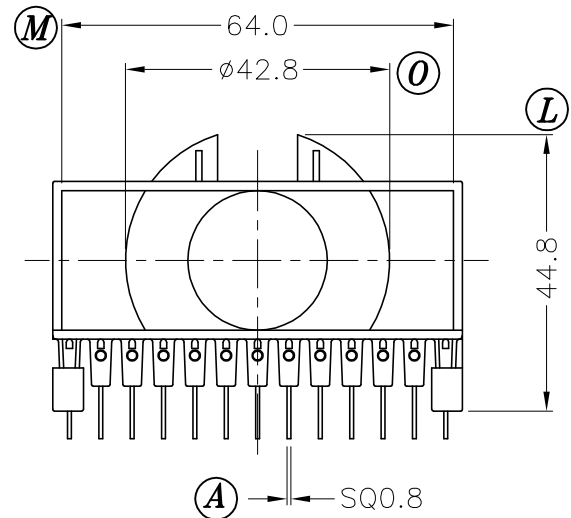
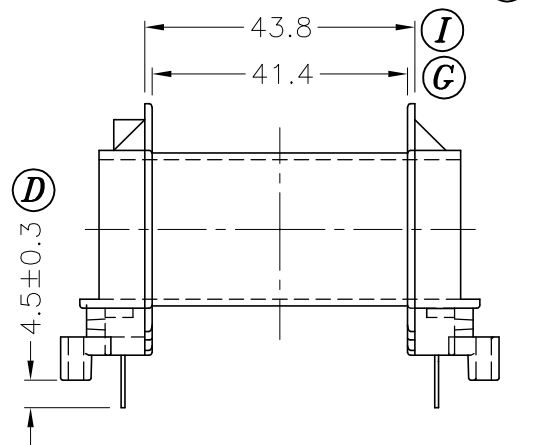
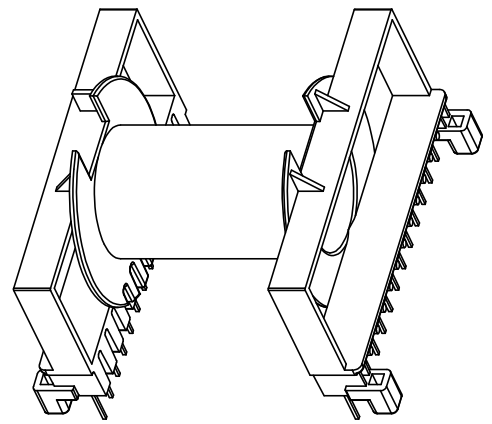
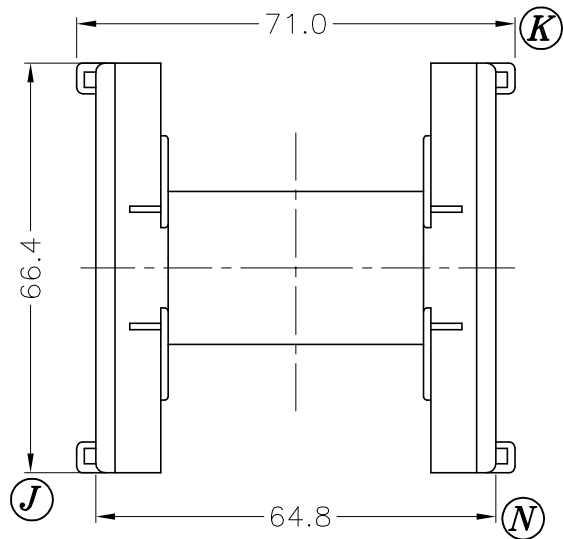


FERYSTER Inductive Components

ul. Traugutta 4 , 68-120 Iłowa Poland

http://www.feryster.com.pl e-mail: info@feryster.com.pl



DOSTAWCA:	TOLERANCES		ANGLE:	TITLE: ETD59-K-H-26P		
	0 < L ≤ 4 ±0.1	pin pitch	±1°	BOBBIN MATERIAL:	PET FR530	UL REC. UL 94V-0
FERYSTER Inductive Components Tel: +48 68 360 00 76 fax: +48 68 360 00 70	4 < L ≤ 16 ±0.2	±0.3	UNIT:	PIN MATERIAL:	CP WIRE	PIN TENSION LOAD: 2.0KG MIN
	16 < L ≤ 63 ±0.3		MM	ORIGIN:	SZ	
				DATE:	DRAWING NO.	P-5901
				APR.10 '2003		