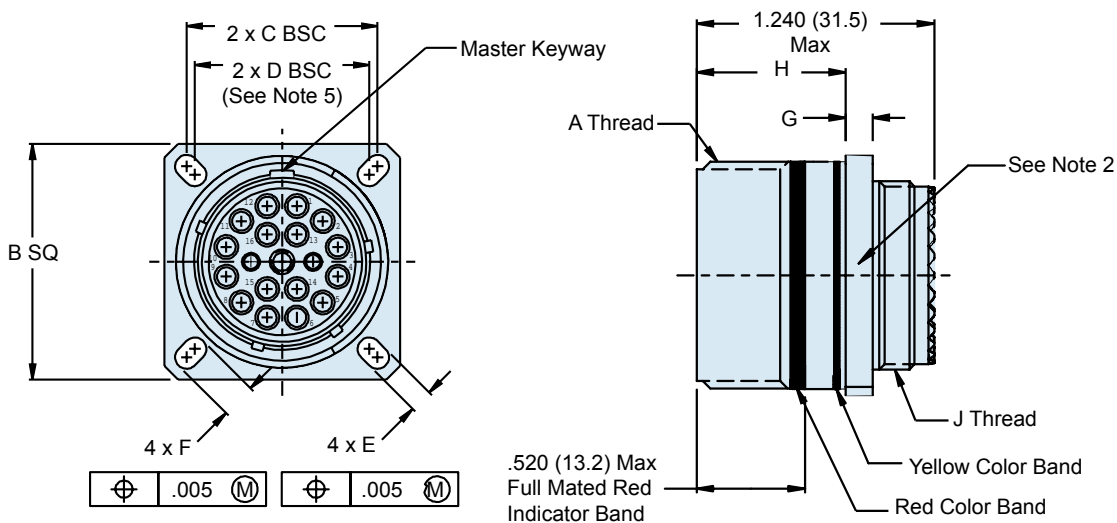
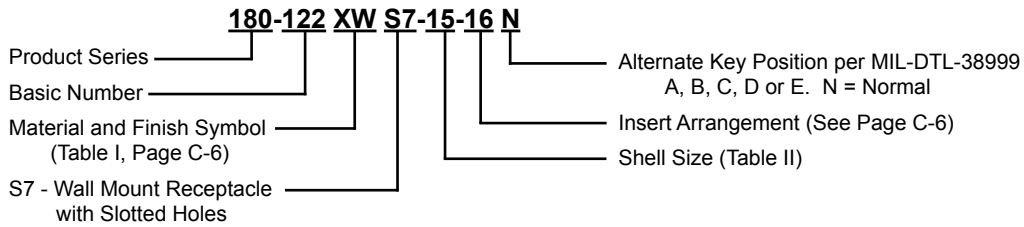


180-122 (S7)
GHD • Glenair High Density
Fiber Optic Connection System
Square Flange with Slotted Holes • MIL-DTL-38999 Style



S7 - WALL MOUNT RECEPTACLE WITH SLOTTED HOLES

APPLICATION NOTES

1. Material/ Finishes:
 Shell - High grade engineering thermoplastic/
 See Table I, Page C-6.
 Insulators - High grade rigid dielectric/N.A.
 Alignment Sleeve Retainer - Aluminum alloy/black anodized
 Seals - Fluorosilicone/N.A.
2. Assembly to be identified with Glenair's name, part number and date code, space permitting.
3. For appropriate Glenair terminus part numbers see Glenair drawing 181-047 (keyed terminus for APC polish, page C-4) or 181-041 (tunable terminus, page C-2).
4. Front panel only.
5. Metric dimensions (mm) are indicated in parentheses.

180-122 (S7)
GHD • Glenair High Density
Fiber Optic Connection System
Square Flange with Slotted Holes • MIL-DTL-38999 Style



TABLE II: SHELL SIZE

Shell Size Code	Shell Size	A Thread	B SQ	C BSC	D BSC*	E	F	G	H
B	11	.7500 -.1P -.3L-TS-2A	1.043 (26.5) 1.019 (25.9)	.812 (20.6)	.719 (18.3)	.136 (3.5) .120 (3.0)	.202 (5.1) .186 (4.7)	.144 (3.7) .083 (2.1)	.823 (20.9) .768 (19.5)
C	13	.8750 -.1P -.3L-TS-2A	1.138 (28.9) 1.114 (28.3)	.906 (23.0)	.812 (20.6)	.136 (3.5) .120 (3.0)	.202 (5.1) .186 (4.7)	.144 (3.7) .083 (2.1)	.823 (20.9) .768 (19.5)
D	15	1.0000 -.1P -.3L-TS-2A	1.232 (31.3) 1.208 (30.7)	.969 (24.6)	.906 (23.0)	.136 (3.5) .120 (3.0)	.202 (5.1) .186 (4.7)	.144 (3.7) .083 (2.1)	.823 (20.9) .768 (19.5)
E	17	1.1875 -.1P -.3L-TS-2A	1.323 (33.6) 1.299 (33.0)	1.062 (27.0)	.969 (24.6)	.136 (3.5) .120 (3.0)	.202 (5.1) .186 (4.7)	.144 (3.7) .083 (2.1)	.823 (20.9) .768 (19.5)
F	19	1.2500 -.1P -.3L-TS-2A	1.449 (36.8) 1.425 (36.2)	1.156 (29.4)	1.062 (27.0)	.136 (3.5) .120 (3.0)	.202 (5.1) .186 (4.7)	.144 (3.7) .083 (2.1)	.823 (20.9) .768 (19.5)
G	21	1.3750 -.1P -.3L-TS-2A	1.575 (40.0) 1.551 (39.4)	1.250 (31.8)	1.156 (29.4)	.136 (3.5) .120 (3.0)	.202 (5.1) .186 (4.7)	.171 (4.3) .083 (2.1)	.791 (20.1) .736 (18.7)
H	23	1.5000 -.1P -.3L-TS-2A	1.701 (43.2) 1.677 (42.6)	1.375 (34.9)	1.250 (31.8)	.136 (3.5) .120 (3.0)	.202 (5.1) .186 (4.7)	.171 (4.3) .083 (2.1)	.791 (20.1) .736 (18.7)
J	25	1.6250 -.1P -.3L-TS-2A	1.823 (46.3) 1.799 (45.7)	1.500 (38.1)	1.375 (34.9)	.136 (3.5) .120 (3.0)	.202 (5.1) .186 (4.7)	.171 (4.3) .083 (2.1)	.791 (20.1) .736 (18.7)

*Front Panel Mount Only (See Note 4)

**TABLE II: SHELL SIZE
(Continued)**

Shell Size Code	Shell Size	J Thread
B	11	M15 X 1.0-6g 0.100R
C	13	M18 X 1.0-6g 0.100R
D	15	M22 X 1.0-6g 0.100R
E	17	M25 X 1.0-6g 0.100R
F	19	M28 X 1.0-6g 0.100R
G	21	M31 X 1.0-6g 0.100R
H	23	M34 X 1.0-6g 0.100R
J	25	M37 X 1.0-6g 0.100R