



2.4GHz Antenna

A range of high quality antennae designed and manufactured for operation specifically with Low power short range telemetry systems. Using one of the following antennae will give optimum range and reliability to your application.

Mini Helical Antenna

- ANT-24G-HL90-SMA
- Tuned to 2.4 - 2.5Ghz
- Rugged Plastic Finish
- 90 Degree SMA Fixing



Mini Dipole Antenna

- ANT-24G-DPL-FP
- Tuned to 2.4 - 2.5Ghz
- Rugged Plastic Finish
- +2.1dBi Gain
- 2.5 Metre Cable



Mini Helical Antenna

- ANT-24G-WHJ-SMA
- Tuned to 2.4 - 2.5Ghz
- Rugged Plastic Finish
- 90 Degree Joint with SMA Fixing



Electrical Characteristics

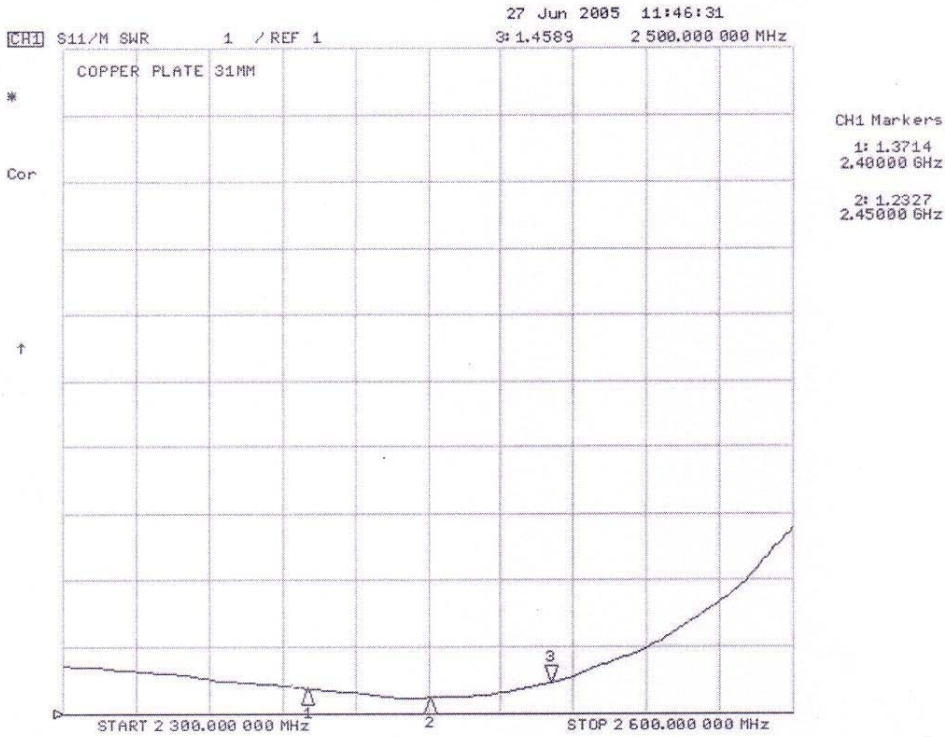
	Min	Typical	Max	Units
Resonate Frequency	2.4		2.5	GHz
Return Loss			-10	dB
Radiation Pattern		Omnidirectional		
Polarization		Vertical		
Standing Wave Ratio			2.0	
Storage Temperature	-30		80	°C
Operating Temperature	-30		60	°C



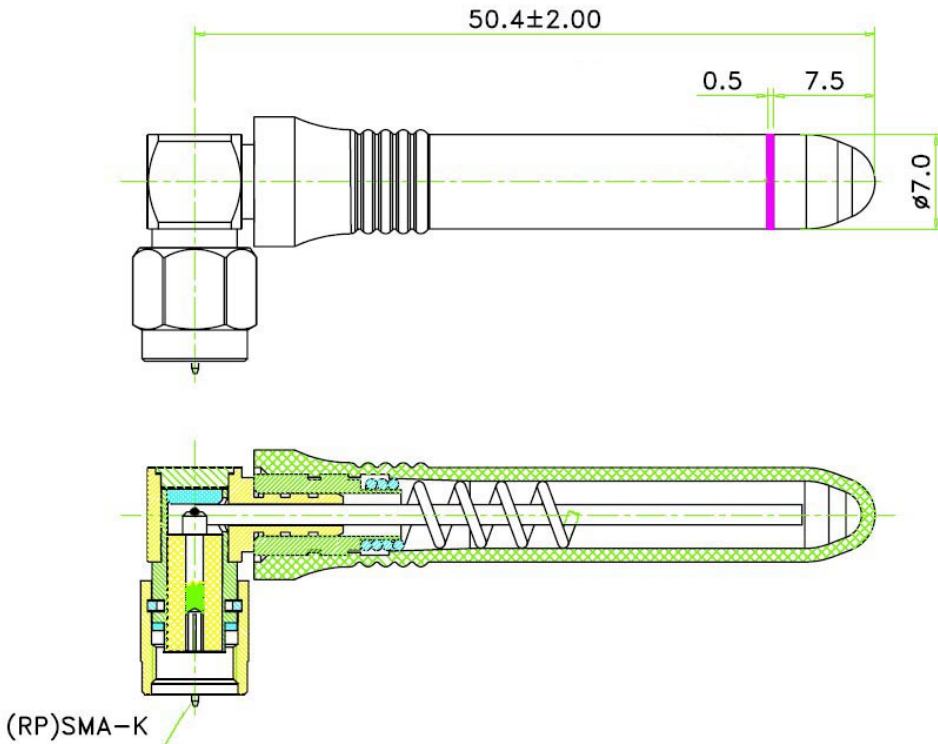
2.4GHz Antenna

ANT-24G-HL90-SMA

VSWR



MECHANICAL

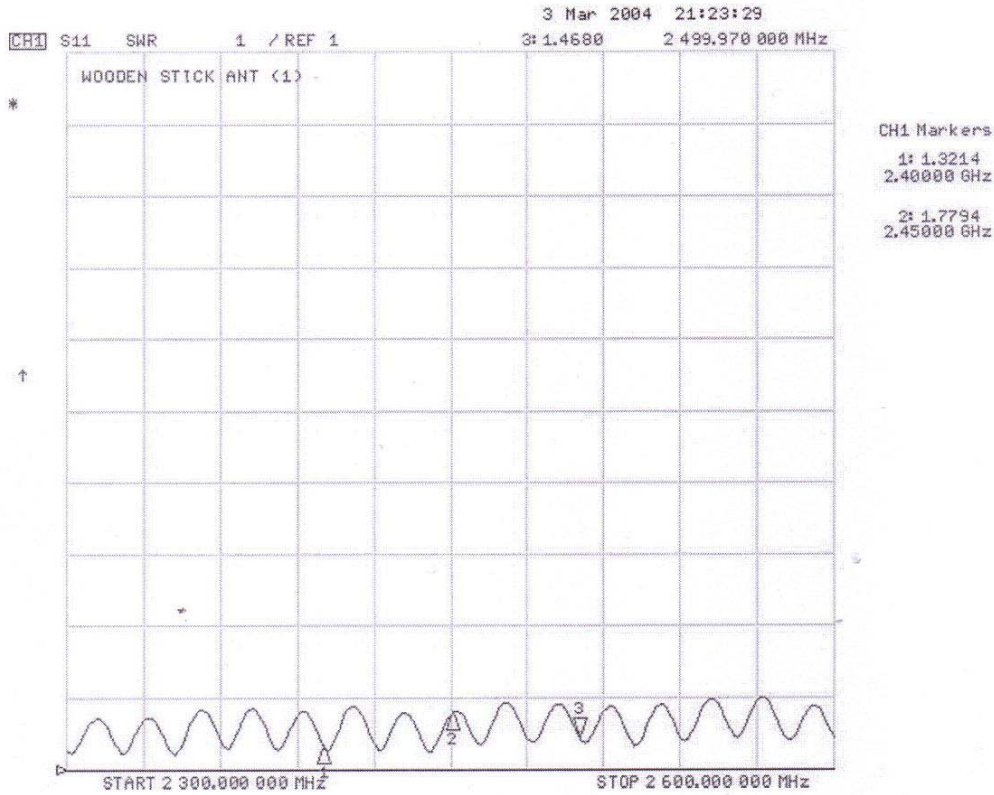




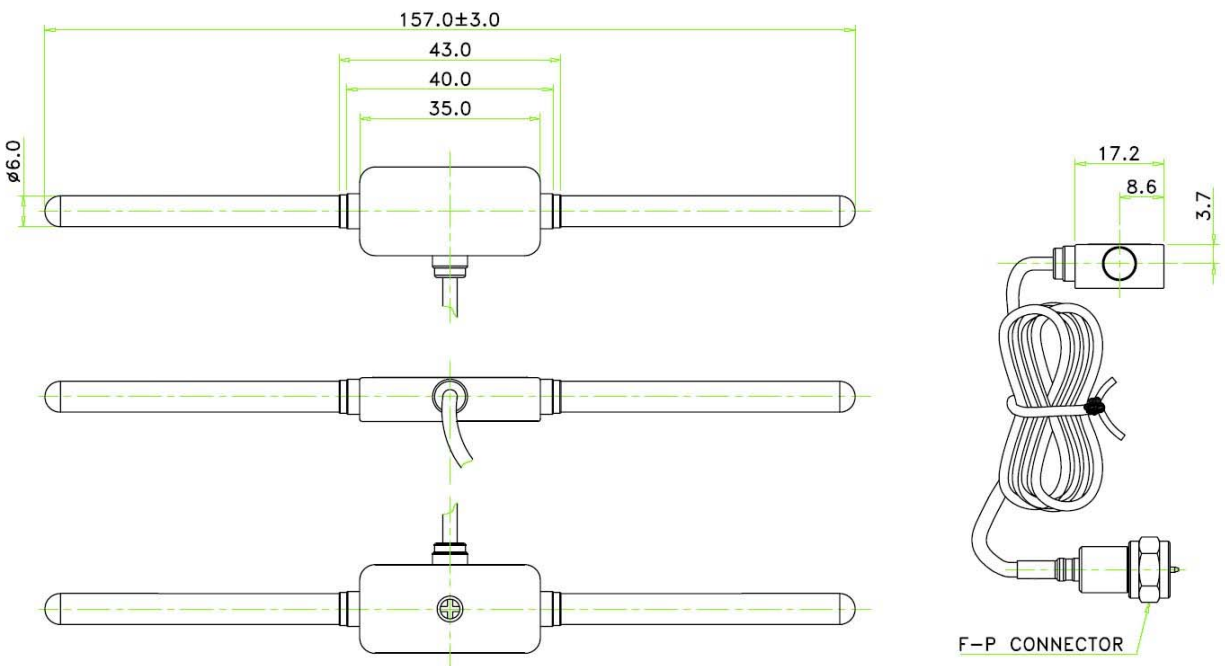
2.4GHz Antenna

ANT-24G-DPL-FP

VSWR



MECHANICAL





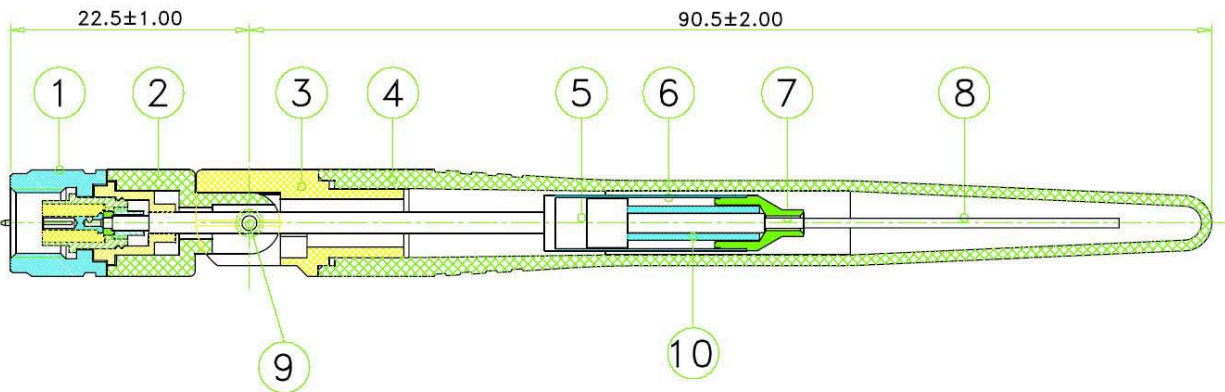
2.4GHz Antenna

ANT-24G-WPJ-SMA

VSWR



MECHANICAL



**R. F. Solutions Ltd.,
Unit 21, Cliffe Industrial Estate, South Street, Lewes,
E Sussex, BN8 6JL. England**

Tel +44 (0)1273 898 000 Fax +44 (0)1273 480 661

Email sales@rfsolutions.co.uk <http://www.rfsolutions.co.uk>

RF Solutions is a member of the Low Power Radio Association

