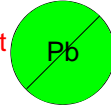


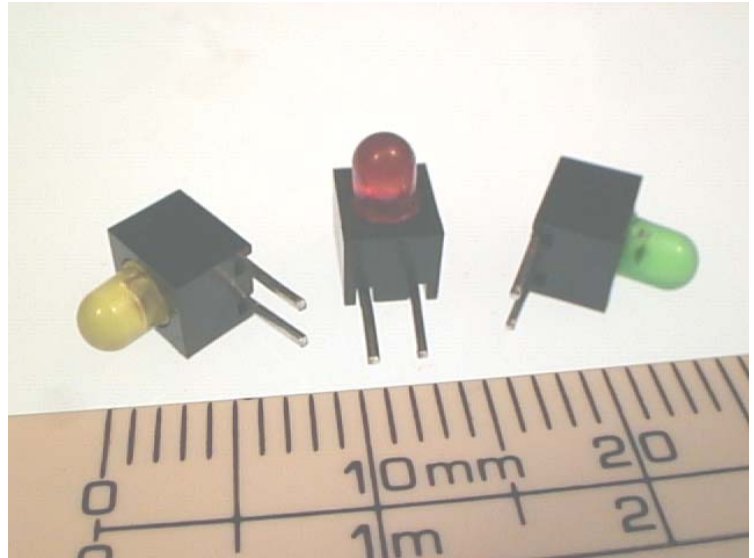
This component is RoHS compliant



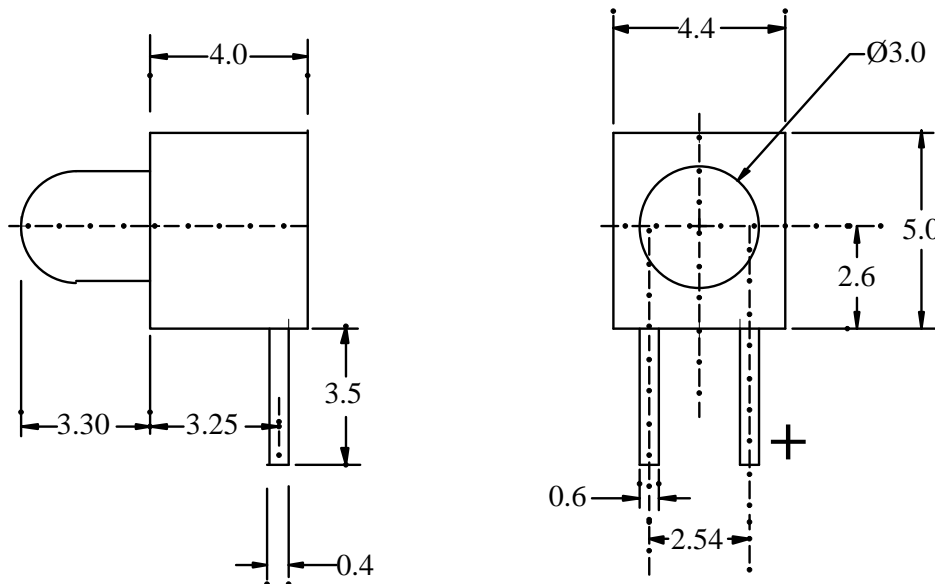
ORE 9601X 3mm CIRCUI BOARD INDICATOR

A miniture LED assembly giving good alignment with small PCB footprint. The Black Nylon 6 zero flammability moulding houses a 3mm LED and is available in a wide range of colours and current options.

- Small Footprint.
- Compact Housing.
- High Brightness
- Blue available



MECHANICAL DATA



BEDFORD OPTO TECHNOLOGY LTD
1,BIGGAR BUSINESS PARK, BIGGAR,LANARKSHIRE, ML12 6FX
Tel: +44 (0) 1899 221221 Fax: +44 (0) 1899 221009
Website: bot.co.uk E-mail: bill@bot.co.uk

ABSOLUTE MAXIMUM RATINGS (TA = 25°C)

PARAMETER	RED YELLOW,	RED,YELLOW
Peak Forward Current	150mA	1A
Continuous Forward Current	7mA	30mA
Power Dissipation	20mW	100mW
Reverse Voltage @10uA	6V	6V
Storage Temperature	-55°C to +100°C	-55°C to+100°C
Operating Temperature Range	-40°C to +100°C	-20°C to +100°C

OPTO ELECTRONIC DATA (TA = 25°C) LOW CURRENT 2mA

COLOUR	Peak wavelength nm	Viewing Angle 2θ ^{1/2} deg	Luminous Intensity [If = 2mA] mcd		Forward Voltage [If = 2mA] Volts Max	Reverse Voltage [Ir = 10 µA] Volts Min
RED	635	50	1.0	2.0	2.4	6
YELLOW	586	50	1.0	2.0	2.9	6
GREEN	565	50	1.0	2.0	2.4	6

10 mA TYPES

COLOUR	Peak wavelength nm	Viewing Angle 2θ ^{1/2} deg	Luminous Intensity [If =10mA] mcd		Forward Voltage [If = 20mA] Volts Max	Reverse Voltage [Ir = 10 µA] Volts Min
			Min	Typ		
RED	635	60	6.3	10	3.0	6
YELLOW	586	60	6.3	10	3.0	6
GREEN	565	60	6.3	12.0	3.0	6
BLUE	428	60	6.3	15.0	4.5	5

ORDERING INFORMATION

10mA TYPES

ORE9601X X=R=RED

Y=YELLOW

G=GREEN

B=BLUE

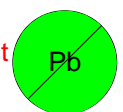
2mA TYPES

ORE9601XL X=R=RED

Y=YELLOW

G=GREEN

This component is RoHS compliant



BEDFORD OPTO TECHNOLOGY LTD

1,BIGGAR BUSINESS PARK, BIGGAR,LANARKSHIRE, ML12 6FX

Tel: +44 (0) 1899 221221 Fax: +44 (0) 1899 221009

Website: bot.co.uk E-mail: bill@bot.co.uk